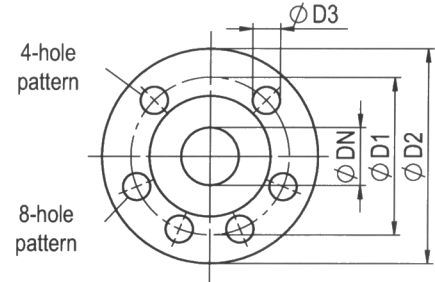
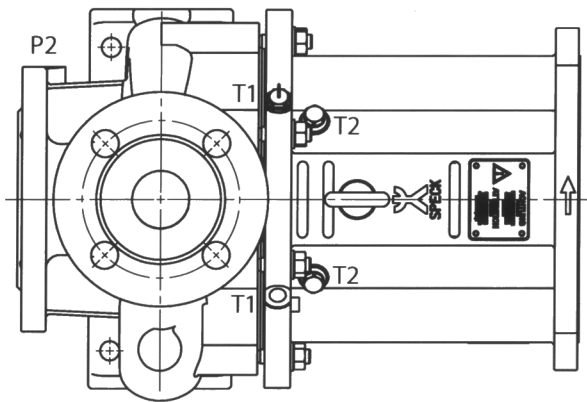


Flange dimensions EN 1092-2



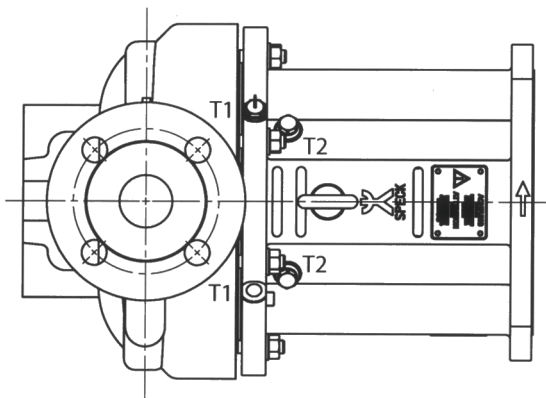
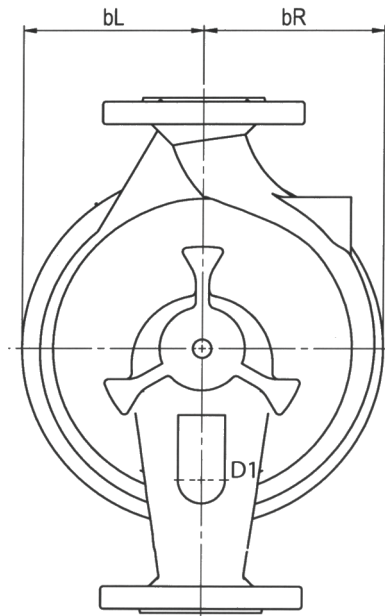
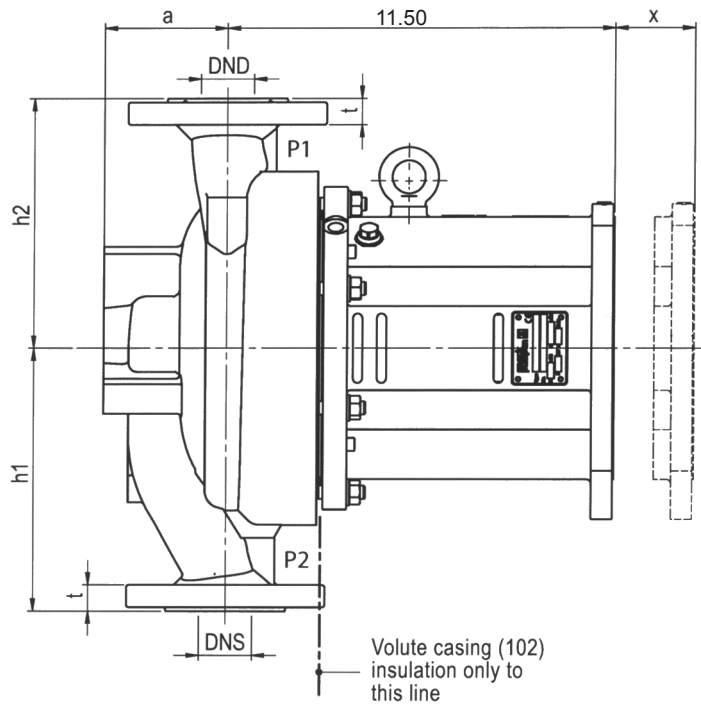
Flange dimensions in acc.with DIN EN 1092-2

ØDN	ØD2	ØD1	t	ØD3	# Holes
1.26	5.51	3.94	.71	.75	4
1.57	5.91	4.33	.71		
1.97	6.50	4.92	.79		
2.56	7.28	5.71	.79		
3.15	7.87	6.30	.87	.95	8
3.94	8.66	7.09	.95		

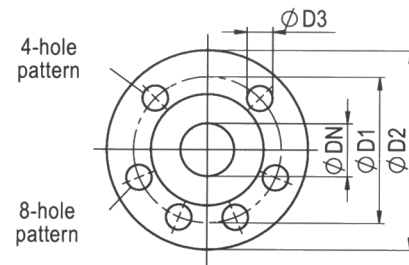
Utility Connections

P1	Outlet pressure indicator connection (not drilled)	1/4 NPT
P2	Inlet pressure indicator connection (not drilled)	1/8 NPT
D1	Volute casing drain	3/8 NPT
T1	Temperature sensor PT 100 MK 110/135	1/4 NPT
T2	Temperature sensor PT 100 MK 75	1/4 NPT

Pump Size	Flanges		Pump Dimensions					Foot Dimensions					Pull-Out x
	DNS	DND	a	bL	bR	h1	h2	b	m1	m2	n1	n2	
32-160	2	1.25	3.15	4.84	4.84	5.20	6.30	1.97	3.94	2.76	9.45	7.48	
32-200			5.32	6.30	7.09								
32-250			3.94	5.99	6.42	7.09	8.86						
40-160	2.5	1.5	3.15	4.84	5.08	5.20	6.30	1.97	3.94	2.76	10.43	8.35	
40-200			5	5.55	6.30	7.09							
40-250			5.95	6.30	7.09	8.86							
50-160			4.84	5.35	6.30	7.09							
50-200	2	3.94	5.11	5.83	6.30	7.87	1.97	3.94	2.76	10.43	8.35		
50-250			6.18	6.69	7.09	8.86							
65-160			4.88	5.95	6.30	7.87							
65-200	3.25	2.5	5.35	6.46	7.09	8.86	2.56	4.92	3.74	11.02	8.35		
80-160			4.93	5.47	6.85								



Flange dimensions EN 1092-2



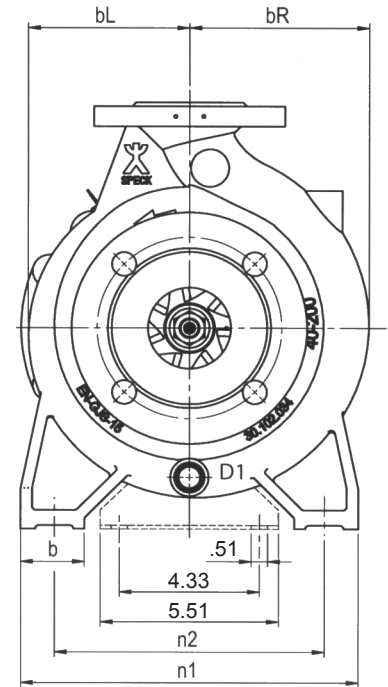
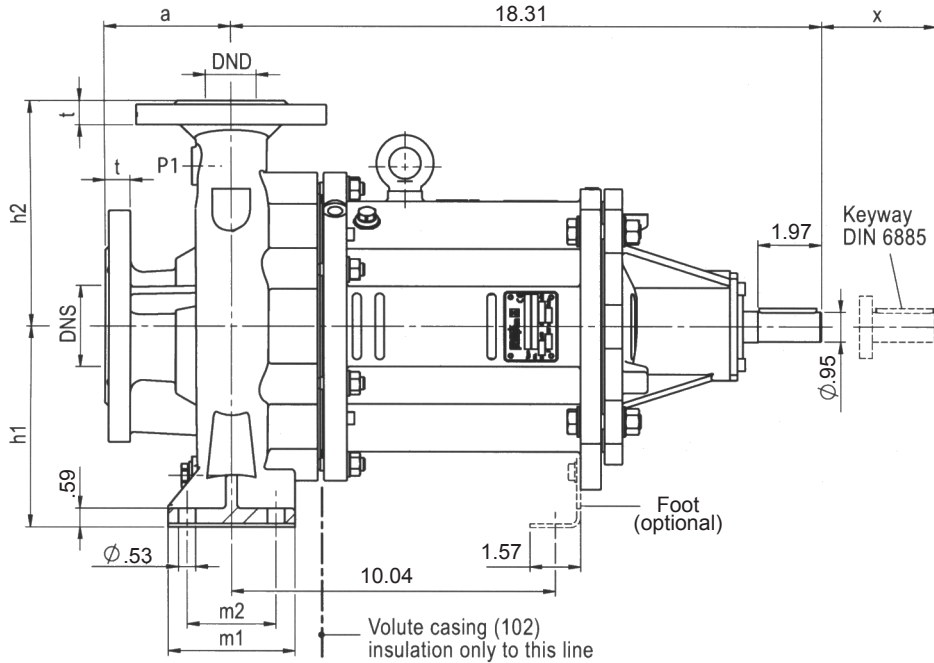
Flange dimensions in acc.with DIN EN 1092-2

ØDN	ØD2	ØD1	t	ØD3	# Holes
1.26	5.51	3.94	.71	.75	4
1.57	5.91	4.33	.71		
1.97	6.50	4.92	.79		
2.56	7.28	5.71	.79		
3.15	7.87	6.30	.87		
3.94	8.66	7.09	.95		8

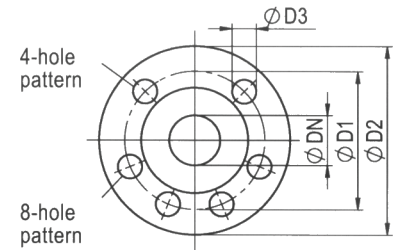
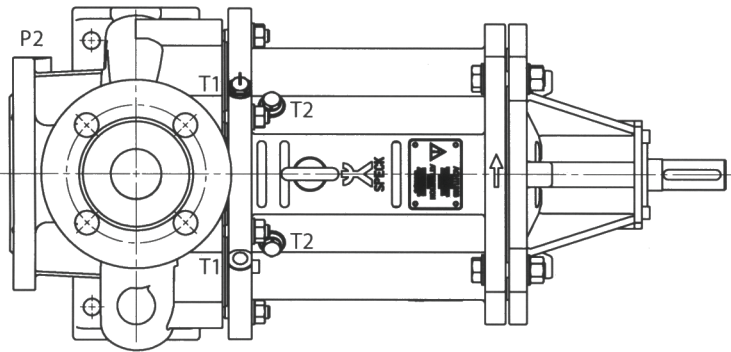
Utility Connections

P1	Outlet pressure indicator connection (not drilled)	1/4 NPT
P2	Inlet pressure indicator connection (not drilled)	1/8 NPT
D1	Volute casing drain	3/8 NPT
T1	Temperature sensor PT 100 MK 110/135	1/4 NPT
T2	Temperature sensor PT 100 MK 75	1/4 NPT

Pump Size	Flanges		Pump Dimensions				Pull-Out	
	DNS	DND	a	bL	bR	h1	h2	x
40-160	1.58	1.58	3.82	4.57	4.57	7.87	7.48	4.33
40-200			3.66	5.31	5.31	7.87	7.48	
50-200	1.97	1.97	4.02	4.96	5.47	8.66	8.07	
65-200	2.56	2.56	4.41	5.16	5.95	9.45	8.86	



Flange dimensions EN 1092-2



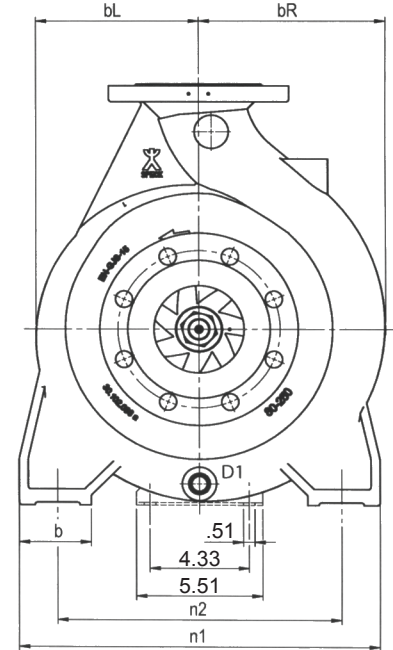
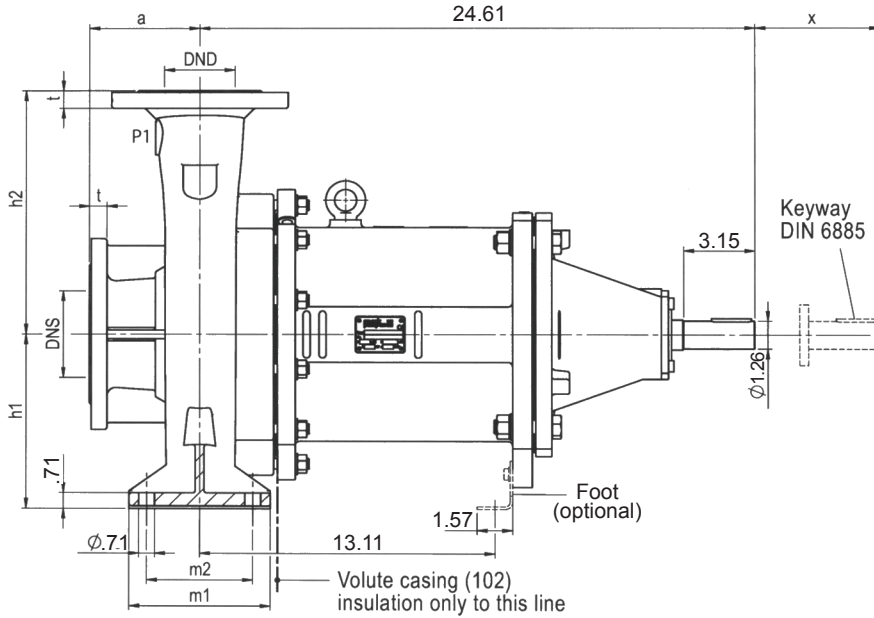
Flange dimensions in acc.with DIN EN 1092-2

ØDN	ØD2	ØD1	t	ØD3	# Holes
1.26	5.51	3.94	.71		
1.57	5.91	4.33	.71		
1.97	6.50	4.92	.79	.75	4
2.56	7.28	5.71	.79		
3.15	7.87	6.30	.87		
3.94	8.66	7.09	.95		8

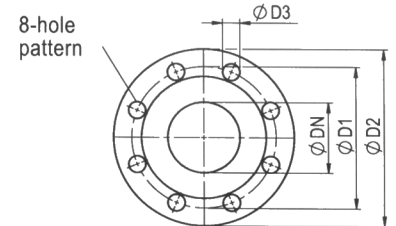
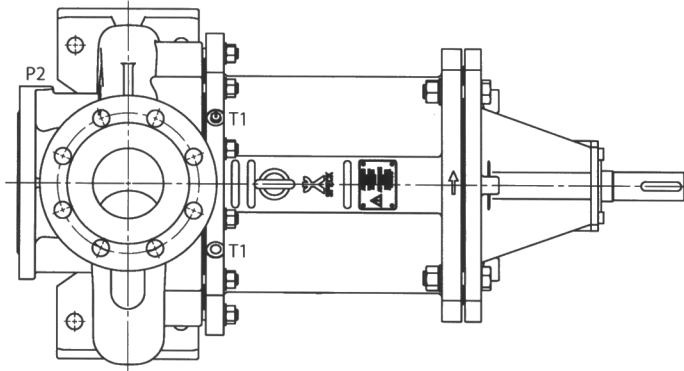
Utility Connections

P1	Outlet pressure indicator connection (not drilled)	1/4 NPT
P2	Inlet pressure indicator connection (not drilled)	1/8 NPT
D1	Volute casing drain	3/8 NPT
T1	Temperature sensor PT 100 MK 110/135	1/4 NPT
T2	Temperature sensor PT 100 MK 75	1/4 NPT

Pump Size	Flanges		Pump Dimensions					Foot Dimensions					Pull-Out x
	DNS	DND	a	bL	bR	h1	h2	b	m1	m2	n1	n2	
32-160													
32-200	2	1.25	3.15	4.84	4.84	6.30	7.09	1.97	3.94	2.76	9.45	7.48	
32-250			3.94	5.99	6.42	7.09	8.86	2.56	4.92	3.74	12.60	9.84	
40-160			3.15	4.84	5.08	5.20	6.30				9.45	7.48	
40-200		1.5		5	5.55	6.30	7.09	1.97	3.94	2.76	10.43	8.35	
40-250	2.5			5.95	6.30	7.09	8.86	2.56	4.92	3.74	12.60	9.84	4.33
50-160				4.84	5.35	6.30	7.09						
50-200		2	3.94	5.11	5.83	6.30	7.87	1.97	3.94	2.76	10.43	8.35	
50-250				6.18	6.69	7.09	8.86				12.60	9.84	
65-160	3.25	2.5		4.88	5.95	6.30	7.87	2.56	4.92	3.74	11.02	8.35	
65-200				5.35	6.46								
80-160	4	3.25	4.93	5.47	6.85	7.09	8.86				12.60	9.84	



Flange dimensions EN 1092-2



Flange dimensions in acc.with DIN EN 1092-2

ϕDN	$\phi D2$	$\phi D1$	t	$\phi D3$	# Holes
1.26	5.51	3.94	.71	.75	4
1.57	5.91	4.33	.71		
1.97	6.50	4.92	.79		
2.56	7.28	5.71	.79		
3.15	7.87	6.30	.87	8	
3.94	8.66	7.09	.95		

Utility Connections

P1	Outlet pressure indicator connection (not drilled)	1/4 NPT
P2	Inlet pressure indicator connection (not drilled)	1/8 NPT
D1	Volute casing drain	3/8 NPT
T1	Temperature sensor PT 100 MK 110/135	1/4 NPT
T2	Temperature sensor PT 100 MK 75	1/4 NPT

Pump Size	Flanges		Pump Dimensions					Foot Dimensions					Pull-Out x
	DNS	DND	a	bL	bR	h1	h2	b	m1	m2	n1	n2	
80-250	3.94	3.15	4.92	7.13	8.15	7.87	11.02	3.15	6.30	4.72	15.75	12.40	4.33