

LUB 65

Pump Model

appx. 2900 rpm.

Threephase
Induction Motor

kW ≈ L ≈ M

Pump

A B

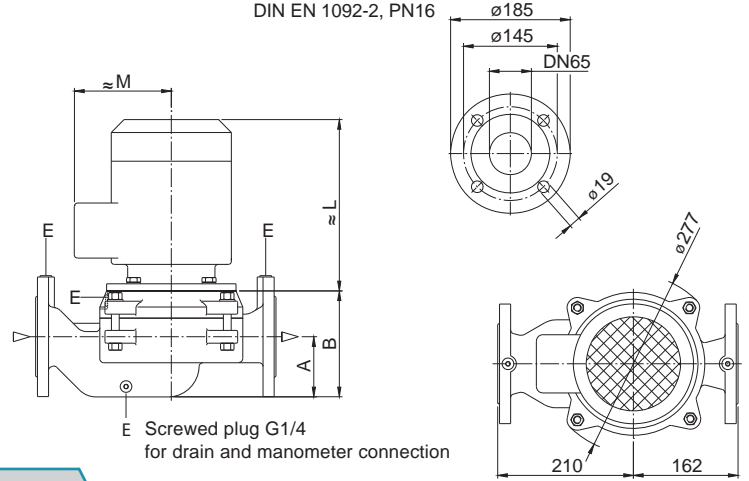
Net weight

≈ lbs.

LUB 65 C	1.5	9.61	5.85	3.66	6.46	88.18
	2.2	10.98	5.85	3.66	6.46	94.8
	3.0	10.98	5.85	3.66	6.46	108.03
	4.0	12.72	6.69	3.66	6.46	123.46
LUB 65 D	1.5	9.61	5.85	3.66	6.54	88.18
	2.2	10.98	5.85	3.66	6.54	94.8
	3.0	10.98	5.85	3.66	6.54	108.03
	4.0	12.72	6.69	3.66	6.54	123.46
LUB 65 Z	3.0	10.98	5.85	3.66	6.34	108.03
	4.0	12.72	6.69	3.66	6.43	123.46

Inches

Suction- and delivery flange
DIN EN 1092-2, PN16



E Screwed plug G1/4
for drain and manometer connection

LUB 80

Pump Model

appx. 2900 rpm.

Threephase
Induction Motor

kW ≈ L ≈ M

Pump

A B

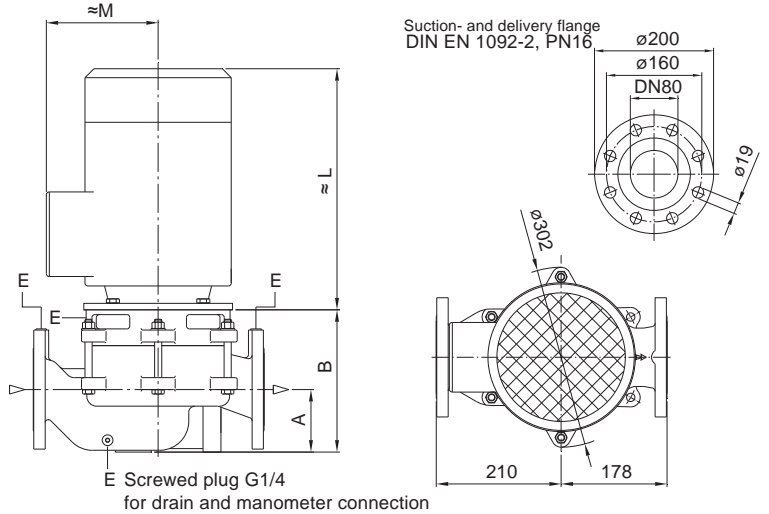
Net weight

≈ lbs.

LUB 80 C	4.0	13.66	6.42	4.13	8.94	145.51
	5.5	15.95	7.64	4.13	8.94	180.78
	7.5	15.95	7.64	4.13	8.94	202.83
LUB 80 D	4.0	13.66	6.42	4.13	9.02	145.51
	5.5	15.95	7.64	4.13	9.02	180.78
LUB 80 E	3.0	10.98	5.91	4.13	9.09	123.46
	4.0	13.66	6.42	4.13	9.09	145.51
	5.5	15.95	7.64	4.13	9.09	180.78
	7.5	15.95	7.64	4.13	9.09	202.93
LUB 80 F	3.0	10.98	5.91	4.13	9.17	145.51
	4.0	13.66	6.42	4.13	9.17	180.78

Inches

Suction- and delivery flange
DIN EN 1092-2, PN16



E Screwed plug G1/4
for drain and manometer connection

LUB 100

Pump Model

appx. 2900 rpm.

Threephase
Induction Motor

kW ≈ L ≈ M

Pump

A B

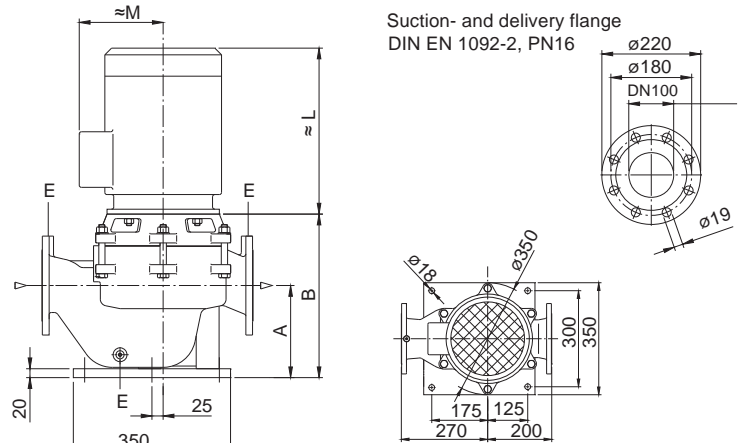
Net weight

≈ lbs.

LUB 100 E	4.0	13.11	6.81	8.07	14.5	244.71
	5.5	16.77	7.40	8.07	14.5	297.62
	7.5	16.77	7.40	8.07	14.5	310.85
	11.0	18.82	8.9	8.07	14.5	352.74
	15.0	19.8	9.84	8.07	14.5	405.65
LUB 100 G	4.0	13.11	6.81	8.07	14.64	244.71
	5.5	16.77	7.40	8.07	14.64	297.62
	7.5	16.77	7.40	8.07	14.64	310.85
	11.0	18.82	8.9	8.07	14.64	352.74
	15.0	19.8	9.84	8.07	14.64	405.65

Inches

Suction- and delivery flange
DIN EN 1092-2, PN16



E Screwed plug G1/4
for drain and manometer connection

LUB

Motor: - 60Hz

Attention: actual motor dimensions possible may differ from the drawing.
Subject to alteration! ANSI Companion flanges available upon request

Vertical In-Line Centrifugal Cooling Pump

Shanley Pump & Equipment, Inc.

