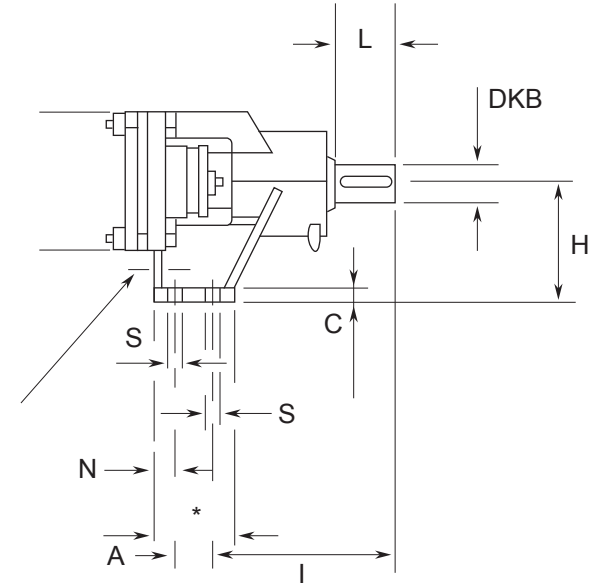
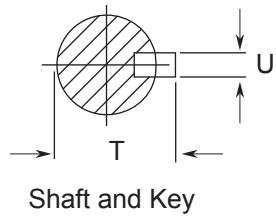
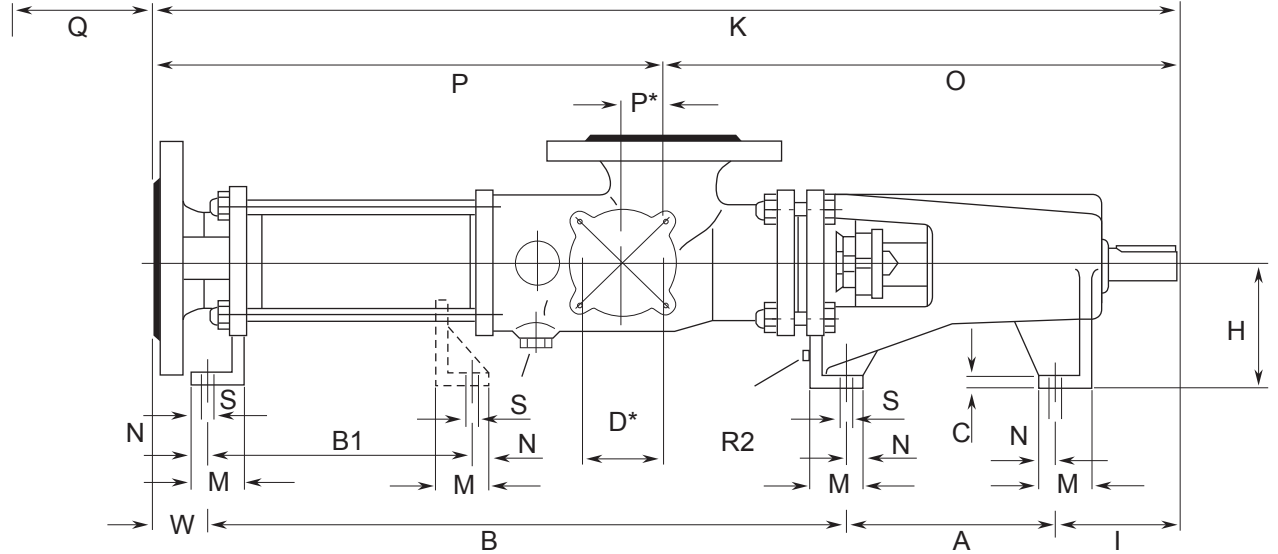
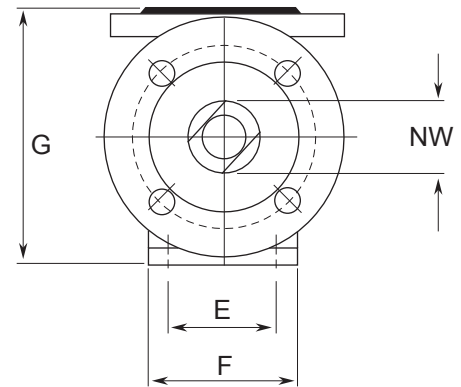


Q = Space for dismantling



5000 Sizes only
* = 6.3"



Progressive Cavity Pump

Continued on next page

Shanley Pump
& Equipment, Inc.



ISEP Pump Model	Dimensions of pump																Net weight ≈ lbs.		
	A	B	B1	C	E	F	H	I	M	N	Q	S	R1	R2	D	L		T	U
50.1	5.71	17.36	-	0.43	3.07	4.06	3.54	3.11	1.5	0.55	7.48	0.47	3/8" NPT	3/8" NPT	0.7874	1.77	0.8858	0.2362	51
50.2	5.71	23.66	-	0.43	3.07	4.06	3.54	3.11	1.5	0.55	12.2	0.47	3/8" NPT	3/8" NPT	0.7874	1.77	0.8858	0.2362	55
100.0	6.89	20.98	-	0.43	3.74	4.72	3.94	3.39	1.57	0.59	9.06	0.47	1/2" NPT	3/8" NPT	0.8661	1.97	0.9646	0.2362	73
100.2	6.89	28.86	-	0.43	3.74	4.72	3.94	3.39	1.57	0.59	15.35	0.47	1/2" NPT	3/8" NPT	0.8661	1.97	0.9646	0.2362	97
200.1	7.87	25.98	-	0.51	4.13	5.39	4.92	4.02	1.77	0.71	11.42	0.55	1/2" NPT	1/2" NPT	1.1024	2.56	1.2165	0.315	110
200.2	7.87	35.91	-	0.51	4.13	5.39	4.92	4.02	1.77	0.71	19.29	0.55	1/2" NPT	1/2" NPT	1.1024	2.56	1.2165	0.315	132
380.1	8.86	30.79	-	0.55	4.72	6.1	5.51	4.72	1.97	0.79	14.17	0.55	1/2" NPT	3/4" NPT	1.378	2.95	1.5157	0.3937	150
380.2	8.86	42.83	-	0.55	4.72	6.1	5.51	4.72	1.97	0.79	23.62	0.55	1/2" NPT	3/4" NPT	1.378	2.95	1.5157	0.3937	198
550.1	8.86	36.85	-	0.55	4.72	6.1	5.51	4.72	1.97	0.79	16.93	0.55	1/2" NPT	3/4" NPT	1.378	2.95	1.5157	0.3937	198
550.2	8.86	54.96	-	0.55	4.72	6.1	5.51	4.72	1.97	0.79	35.04	0.55	1/2" NPT	3/4" NPT	1.378	2.95	1.5157	0.3937	270
750.1	10.63	38.23	-	0.59	5.71	7.28	6.3	5.55	2.17	0.79	17.32	0.71	3/4" NPT	3/4" NPT	1.6535	3.54	1.7756	0.4724	271
750.2	10.63	53.98	-	0.59	5.71	7.28	6.3	5.55	2.17	0.79	31.50	0.71	3/4" NPT	3/4" NPT	1.6535	3.54	1.7756	0.4724	343
1000.1	10.63	42.64	-	0.59	5.71	7.28	6.3	5.55	2.17	0.79	19.69	0.71	3/4" NPT	3/4" NPT	1.6535	3.54	1.7756	0.4724	308
1450.1	12.50	47.24	-	0.67	6.69	8.46	7.09	6.77	2.56	0.98	20.87	0.71	3/4" NPT	3/4" NPT	2.1654	4.33	2.315	0.6299	454
1450.2	12.50	67.12	-	0.67	6.69	8.46	7.09	6.77	2.56	0.98	39.37	0.71	3/4" NPT	3/4" NPT	2.1654	4.33	2.315	0.6299	616
2700.1	14.57	63.19	27.87	0.79	7.87	9.84	8.86	7.95	3.35	1.38	31.50	0.91	1" NPT	1" NPT	2.7559	5.12	2.937	0.7874	627
2700.1+1	14.57	89.09	27.87	0.79	7.87	9.84	8.86	7.95	3.35	1.38	31.50	0.91	1" NPT	1" NPT	2.7559	5.12	2.937	0.7874	891
5000.1	3.15	69.61	33.42	0.98	10.24	11.81	9.84	14.57	3.54	1.57	31.50	0.91	1" NPT	1" NPT	2.9528	4.92	3.0984	0.7874	1078
5000.2	3.15	101.3	33.42	0.98	10.24	11.81	9.84	14.57	3.54	1.57	31.50	0.91	1" NPT	1" NPT	2.9528	4.92	3.0984	0.7874	1452

Inches

Δ On SEP 100 C.I. Construction the Discharge Flange extends .56" below the Mounting Foot.

* Hand holes available as standard only in sizes shown and cast iron bodies.

ISEP Pump Model	Dimensions for mating suction and delivery Connections								
	Dimensions of pump								
	NW	O	G	K	P	D*	F*	P*	W
50.1	2	13.70	7.01	27.56	13.86	-	-	-	1.38
50.2	2	13.70	7.01	33.86	20.16	-	-	-	1.38
100.0	4	16.73	7.87	33.66	16.93	3.74	7.4	0.28	2.4
100.2	4	16.73	7.87	41.54	24.8	3.74	7.4	0.28	2.4
200.1	4	18.90	9.45	40.04	21.14	3.74	8.43	2.17	2.16
200.2	4	18.90	9.45	49.96	31.06	3.74	8.43	2.17	2.16
380.1	6	22.52	10.63	47.24	24.72	3.74	10.16	1.93	2.87
380.2	6	22.52	10.63	59.29	36.77	3.74	10.16	1.93	2.87
550.1	6	22.52	10.63	53.31	30.79	3.74	10.16	1.93	2.87
550.2	6	22.52	10.63	71.42	48.90	3.74	10.16	1.93	2.87
750.1	6	25.63	12.2	56.1	30.47	5.31	11.06	3.15	1.69
750.2	6	25.63	12.2	71.85	46.22	5.31	11.06	3.15	1.69
1000.1	6	25.63	12.2	60.51	34.88	5.31	11.06	3.15	1.69
1450.1	8	30.94	13.78	69.21	38.27	5.31	12.44	4.6	2.99
1450.2	8	30.94	13.78	89.09	58.15	5.31	12.44	4.6	2.99
2700.1	8	34.33	17.91	87.68	53.35	5.31	14.65	12.68	1.97
2700.1+1	8	34.33	17.91	113.58	79.25	5.31	14.65	12.68	1.97
5000.1	10	31.65	19.68	89.72	58.07	5.31	16.54	11.02	2.4
5000.2	10	31.65	19.68	121.42	89.76	5.31	16.54	11.02	2.4

ISEP Pump Model	SS Flanges ANSI B16.5, 150# RF					
	Dimensions of pump					
	NW	O	K	P	W	G
50.1	2	13.7	27.72	14.01	1.53	7.16
50.2	2	13.7	34.01	20.31	1.53	7.16
100.0	3	16.02	33.11	17.09	1.85	7.87
100.2	3	16.02	40.98	24.96	1.85	7.87
200.1	3	18.9	39.72	20.83	1.85	9.45
200.2	3	18.9	49.64	30.75	1.85	9.45
380.1	4	21.65	46.22	24.57	1.85	10.79
380.2	4	21.65	58.27	36.61	1.85	10.79
550.1	4	21.65	52.28	30.63	1.85	10.79
550.2	4	21.65	70.39	48.74	1.85	10.79
750.1	6	25.63	56.1	30.47	1.69	12.2
750.2	6	25.63	71.85	46.22	1.69	12.2
1000.1	6	25.65	60.51	34.88	1.69	12.2
1450.1	6	30.04	68.19	38.15	1.97	13.94
1450.2	6	30.04	88.07	58.03	1.97	13.94
2700.1	8	34.33	87.68	53.35	1.97	17.91
2700.1+1	8	34.33	113.58	79.25	1.98	17.91
5000.1	10	31.65	89.72	58.07	2.4	19.69
5000.2	10	31.65	121.42	89.76	2.4	19.69

Inches



Progressive Cavity Pump

Shanley Pump & Equipment, Inc.

