

AMERICAN Pump Model	Inlet Flange	Outlet Flange	Shaft Diameter	Net weight ≈ lbs.
AP-15	0.75	0.75	0.625	20
AP-22	0.75	0.75	0.625	20
AP-33	0.75	0.75	0.625	20
AP-44	0.75	0.75	0.625	20

Inches

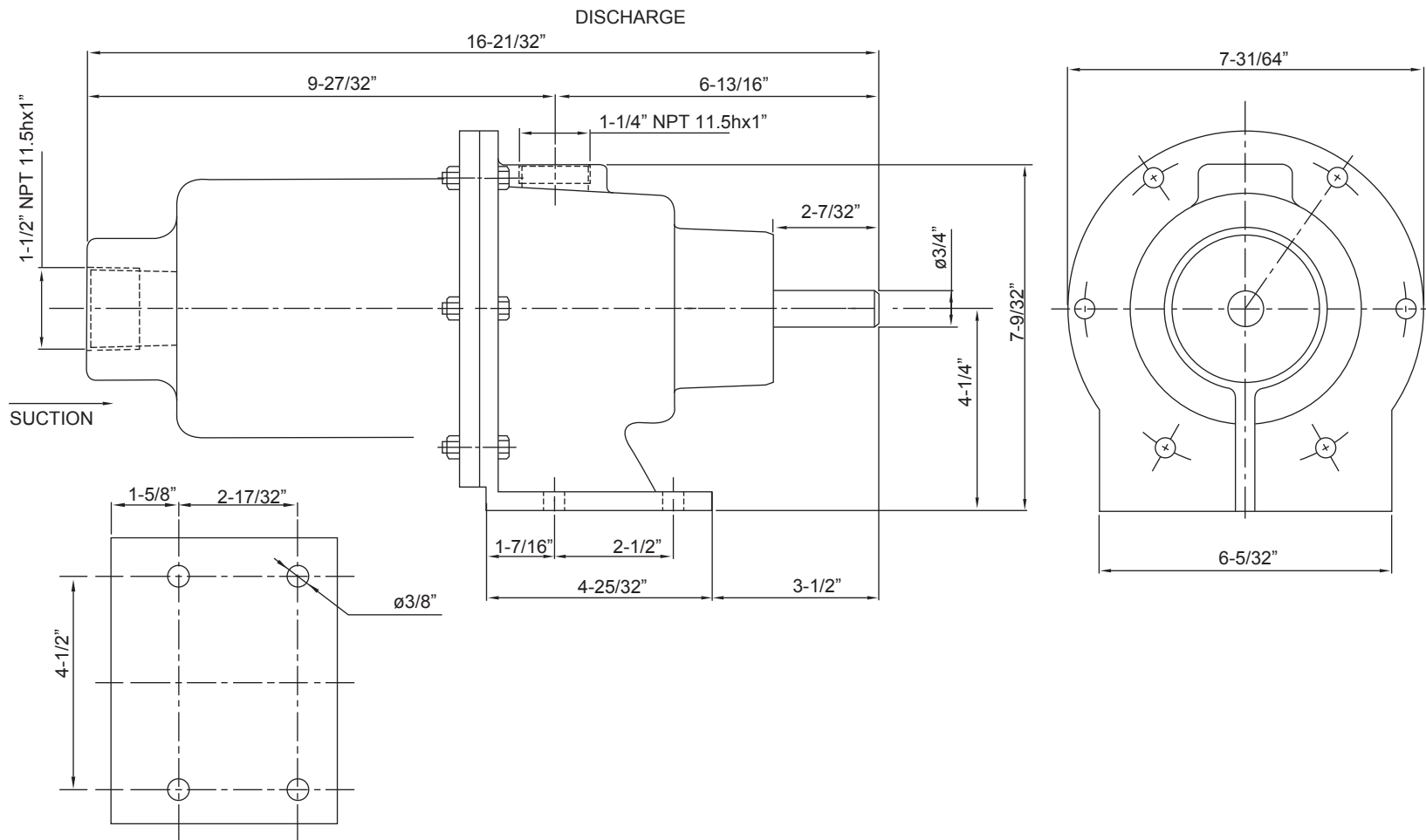
AMERICAN

Progressive Cavity Pump

Subject to alteration!

**Shanley Pump
& Equipment, Inc.**





AMERICAN Pump Model	Inlet Flange Outlet Flange Shaft Diameter			Net weight ≈ lbs.	Inches
	1.5	1.25	0.75		
AP-56	1.5	1.25	0.75	40	

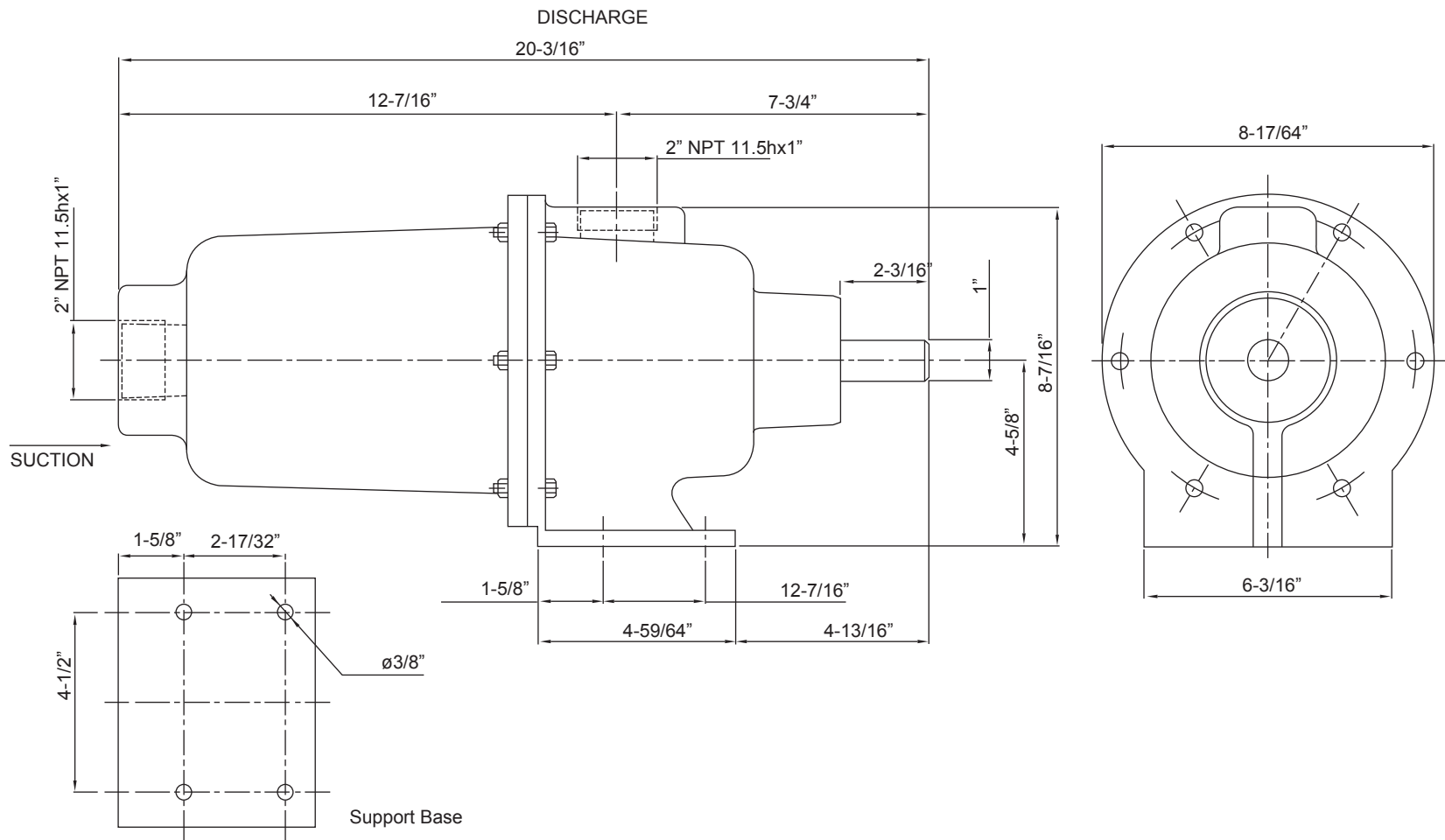
AMERICAN

Progressive Cavity Pump

Subject to alteration!

**Shanley Pump
& Equipment, Inc.**





AMERICAN Pump Model	Inlet Flange	Outlet Flange	Shaft Diameter	Net weight ≈ lbs.	Inches
AP-67	2	2	1	60	

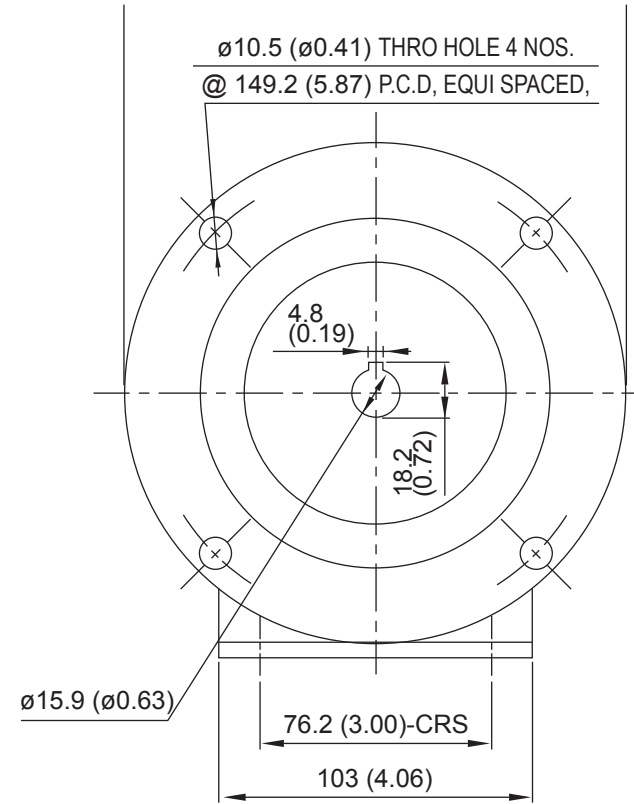
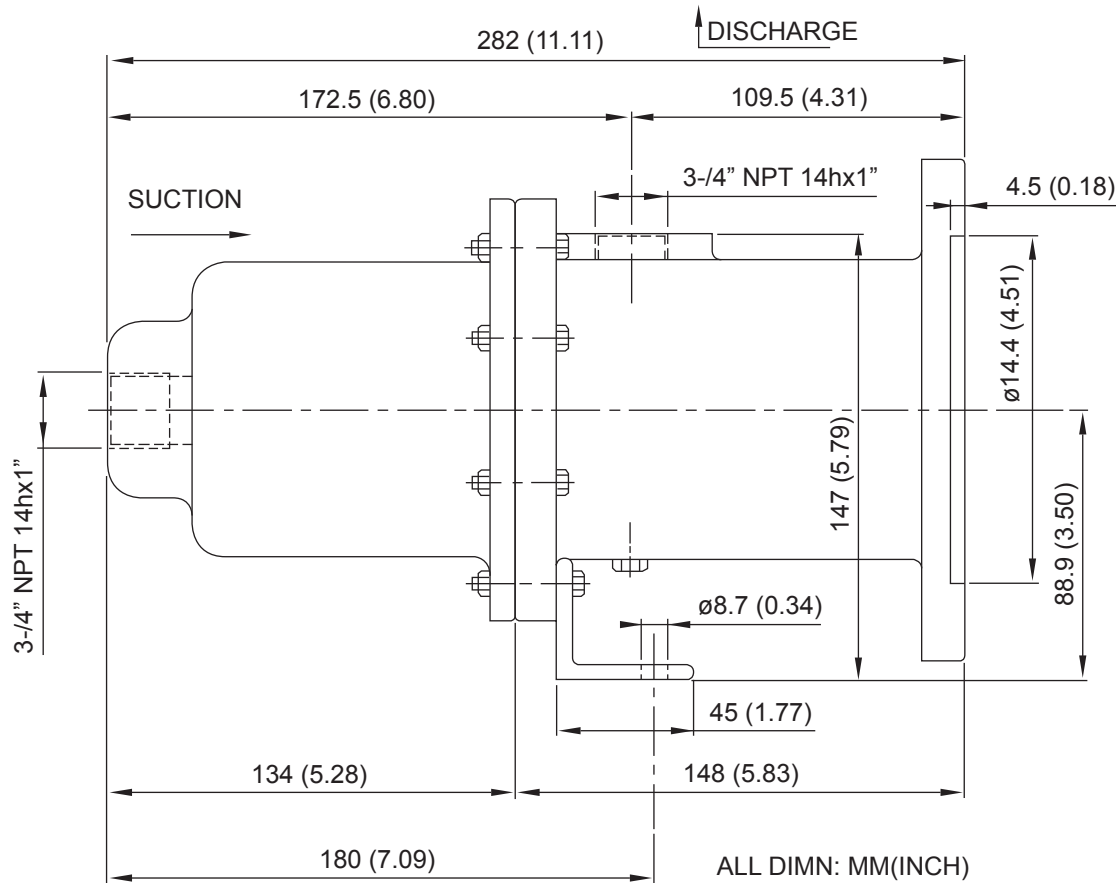
AMERICAN

Progressive Cavity Pump

Subject to alteration!

Shanley Pump & Equipment, Inc.





AMERICAN

Pump Model

Inlet Flange Outlet Flange Shaft Diameter

Net weight ≈ lbs.

APM-15	0.75	0.75	0.72
APM-22	0.75	0.75	0.72
APM-33	0.75	0.75	0.72
APM-44	0.75	0.75	0.72

20
20
20
20

Inches

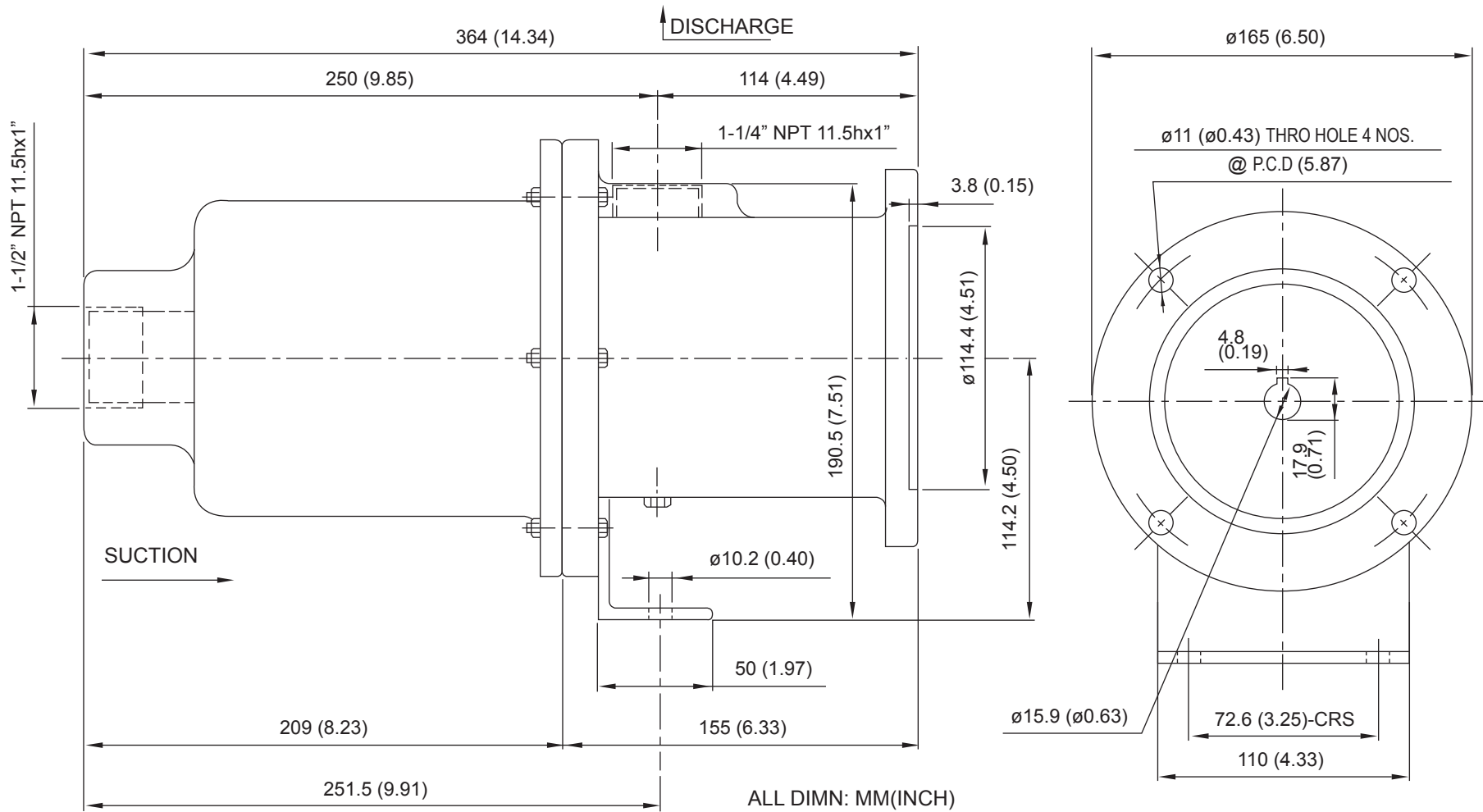
AMERICAN

Progressive Cavity Pump

Subject to alteration!

**Shanley Pump
& Equipment, Inc.**





AMERICAN
Pump Model

Inlet Flange Outlet Flange Shaft Diameter

Net weight \approx lbs.

APM-56

1.5

1.25

0.71

40

Inches

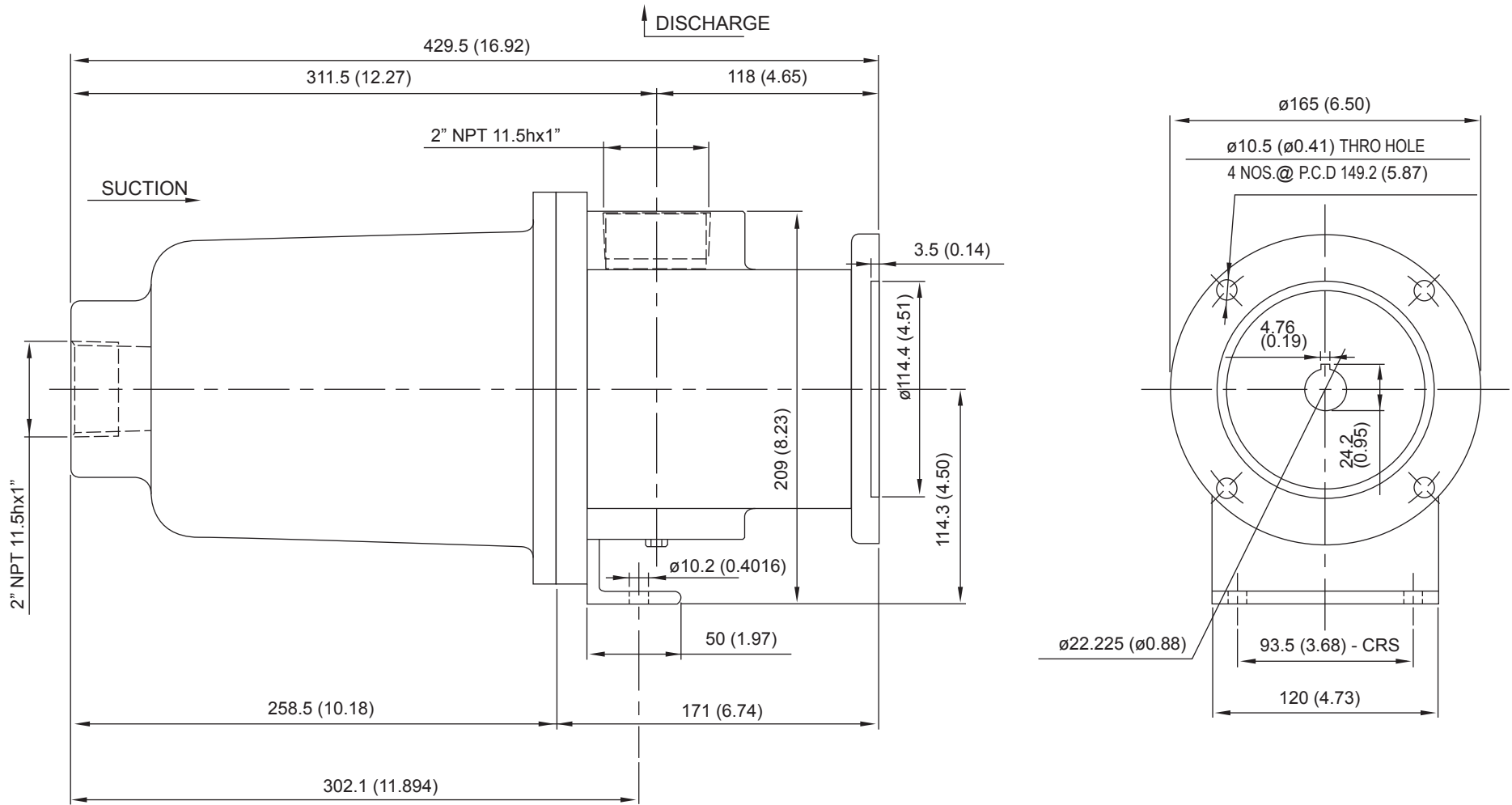
AMERICAN

Progressive Cavity Pump

Subject to alteration!

**Shanley Pump
& Equipment, Inc.**





AMERICAN Pump Model	Inlet Flange	Outlet Flange	Shaft Diameter	Net weight ≈ lbs.	Inches
APM-67	2	2	0.95	60	

AMERICAN

Progressive Cavity Pump

Subject to alteration!

Shanley Pump & Equipment, Inc.

