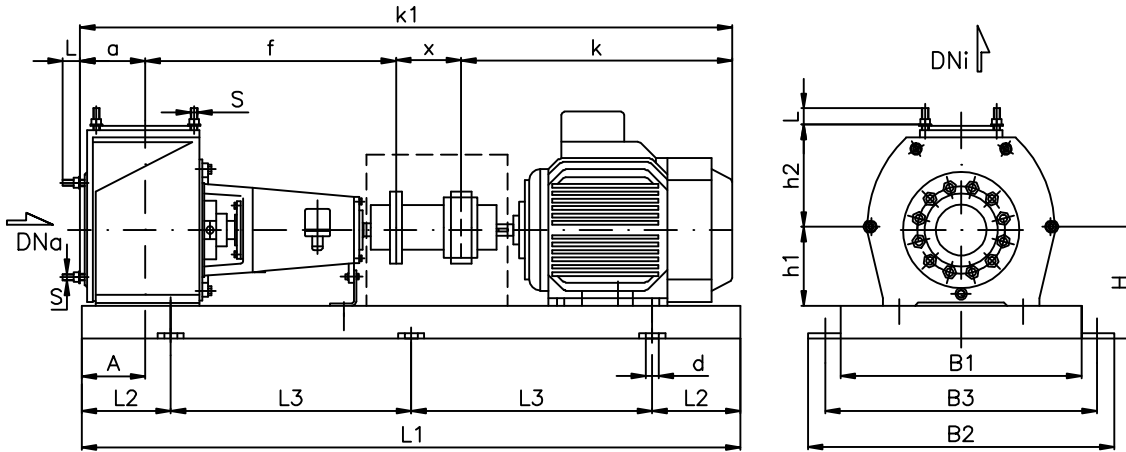


DIMENSIONS "TECNIUM" PUMP TYPE:

BNB
250-400



STANDARD	PUMP	BASE PLATE	MOTOR	FLANGES	SPEED RATING/r.p.m.
	DIN EN 22858 ISO 2858 NF E 44121	EN 23661 ISO 3661	NEMA-IP 55	ANSI 150 lbs.	$\frac{1.450}{1.740}$



Pump type	Motor	Pump					Assembly						Base plate					
	Typo	HP	a	f	h1	h2	H	L1	A	B2	k	k1	x	L3	L2	B3	B1	d
BNB 250-400		100	9.84	39.45	16.54	23.6	26.04	98.4	7.48	37.4	39.4	96.56	7.87	39.37	9.84	33.5	29.53	1.06

	Df	Sf	Discharge Df	Suction Sf
DN	10"	12"		
D	16"	19"		
C	14.25"	17"		
U	12.75"	15"		
N°	12	12		
S	7/8"	7/8"		
L	3.94"	3.94"		

Coupling } A5

ITEM _____

ORDER N: _____

CLIENT: _____

Loads in nozzles
 Traction $Df\ 10'' = 1371$ lb.
 $Sf\ 12'' = 1574$ lb.
 Moment $Df\ 10'' = 30811$ lb.in
 $Sf\ 12'' = 43135$ lb.in

Weight (lbs.)					
Pump	1254	Base plate	594	Motor	1166

Dimensions in inches

Ed. 05.07

TECNIUM®

Tech. Sheet
49277