



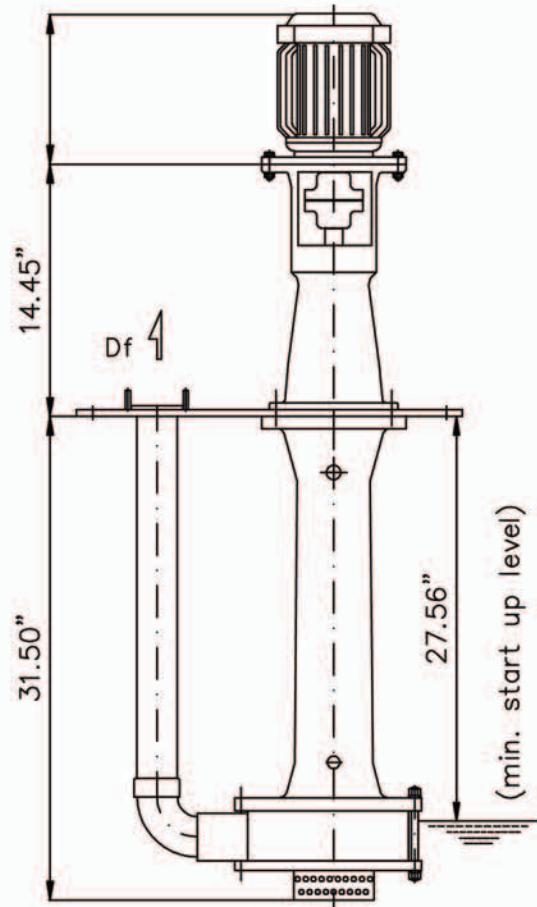
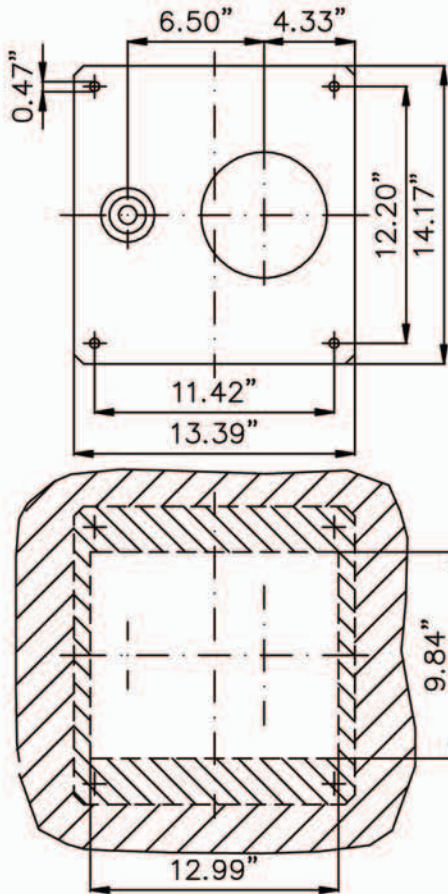
DIMENSIONS "TECNIUM" PUMP TYPE:

BTS
2.06

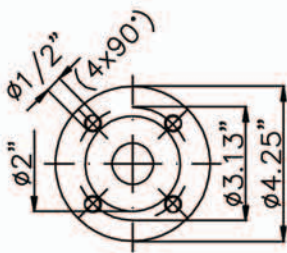


STANDARD	FLANGES	Motor Type	NEMA- IP 55		SPEED RATING/r.p.m.
	ANSI B16.5 150 lbs.		HP	Volt.	
					1750/3480

SQUARE PLATAFORM



Discharge Df 1"



Dimensions in Inches

Loads in nozzles Traction = 112 Lb		Moment = 6602 Lb.in	
Weight (lbs.)			
Pump		Motor	
ITEM.		ORDER	
CUSTOMER			

IA. 1.3
Ed. 07.07

TECNIUM®

H.T.
49331