



DIMENSIONS "TECNIUM" PUMP TYPE:

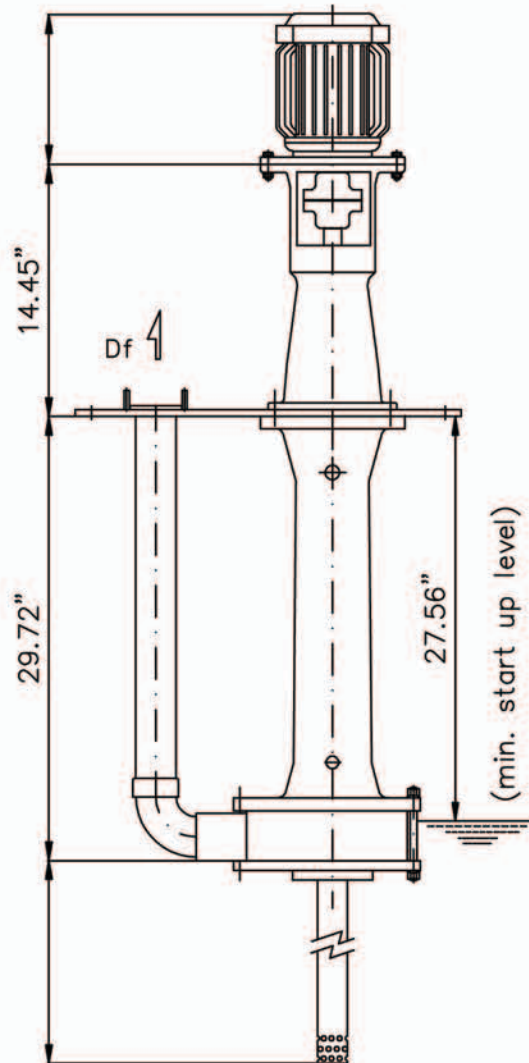
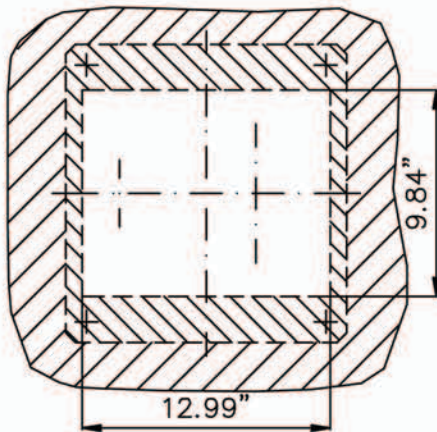
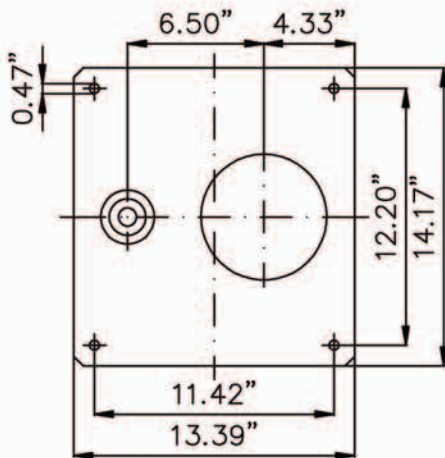
BTS
2.06



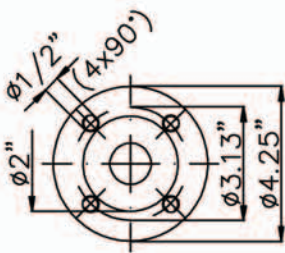
TECNIUM

STANDARD	FLANGES	Motor NEMA- IP 55			SPEED RATING/r.p.m.
		Type	HP	Volt.	
	ANSI B16.5 150 Lbs.				1750/3480

SQUARE PLATAFORM



Discharge Df 1"



Dimensions in inches.

Loads in nozzles Traction = 112 Lb.		Moment = 6602 Lb.in.	
Weight (lbs.)		ITEM.	
Pump	Motor	ORDER	
		CUSTOMER	

IA. 1.3
Ed. 07.07

TECNIUM®

H.T.
49332