

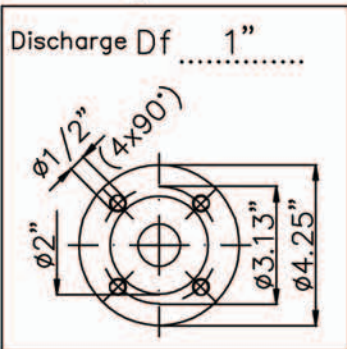
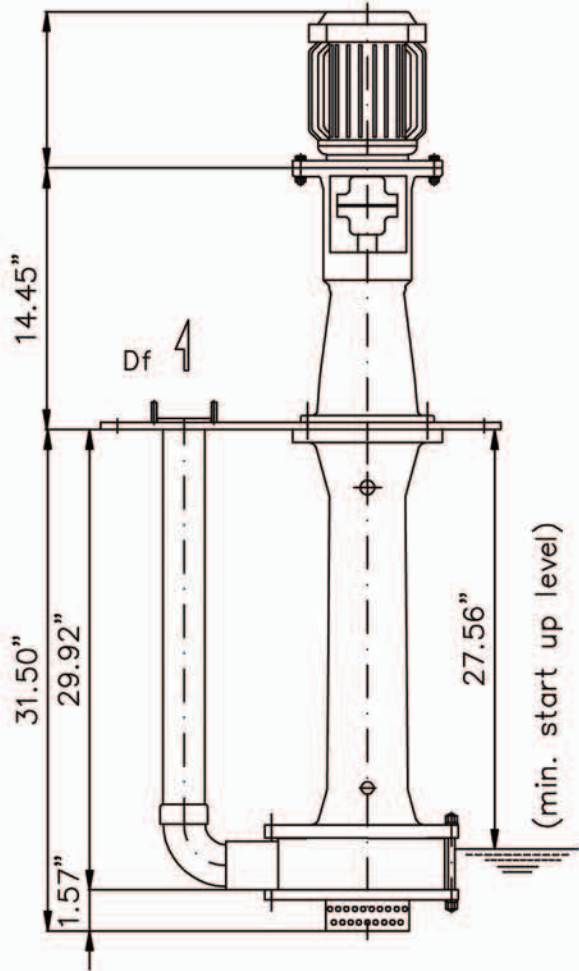
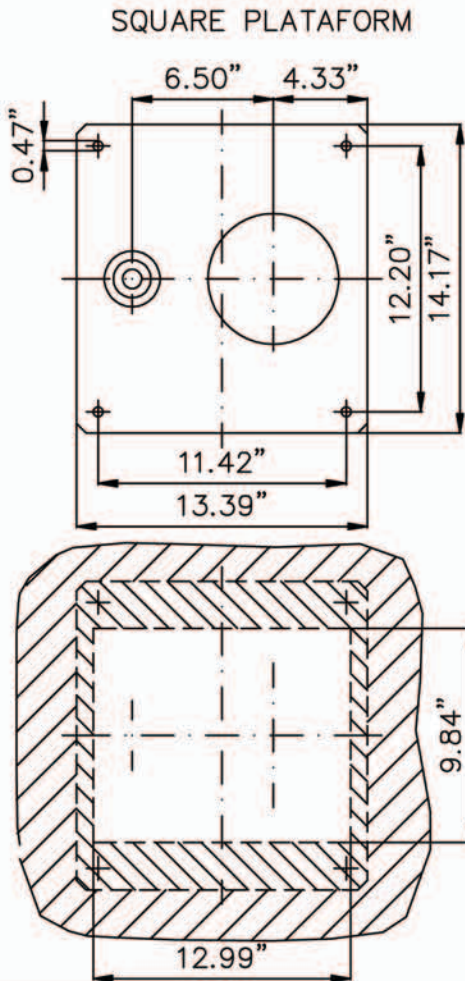


DIMENSIONS "TECNIUM" PUMP TYPE:

BTS  
2.10



STANDARD	FLANGES	Motor NEMA - IP 55			SPEED RATING/r.p.m.
		Type	HP	Volt.	
	ANSI B16.5 150 Lbs.				1750/3480



Dimensions in Inches

Loads in nozzles Traction = 112 Lb.		Moment = 6602 Lb.in
Weight (lbs.)		ITEM.
Pump	Motor	ORDER
		CUSTOMER

IA. 1.3
Ed. 07.07

**TECNIUM®**

H.T.  
49333