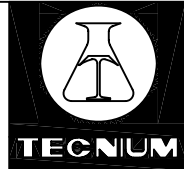
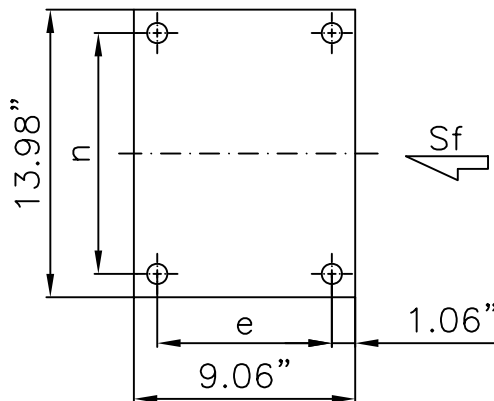
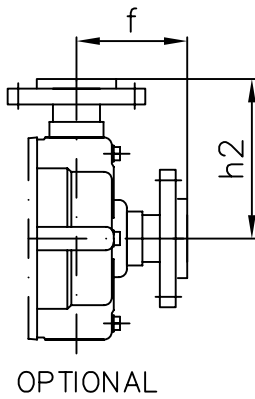
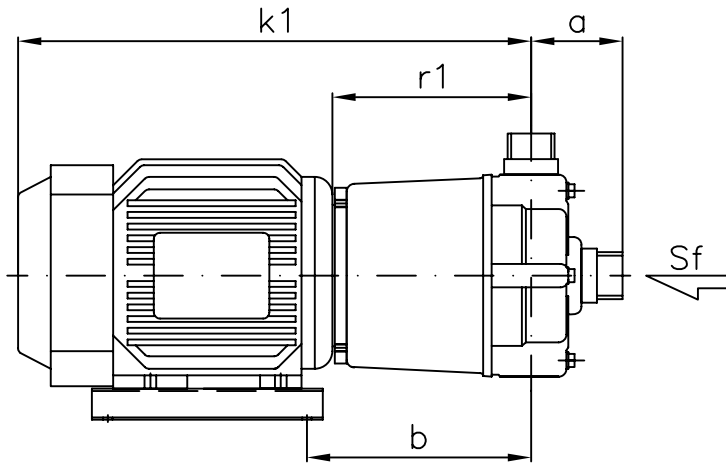
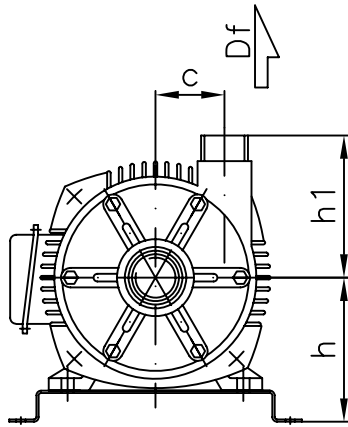


DIMENSIONS MOTORPUMP "TECNIUM" BKM 21.16



MOTOR	SPEED RATING/r.p.m.	CONSTRUCTION MATERIAL	IMPELLER	ORDER N:
NEMA-IP 55 C-flange	3480	—	—	—



Dimensions in inches.

Pump type	Motor 213	Pump											
	HP	a	b	c	f	h	h1	h2	k1	r1	n	e	d
BKM 21.16	7.5	2 3/4"	11.2"	3 3/4"	4.41"	6.85"	6 1/4"	6.89"	23 1/8"	8 11/16"	10 3/8"	8 1/2"	0.47"

BRIDE OPTIONEL

Suction Sf 1 1/2"	Suction Sf 2"	Suction Sf 1 1/2"	Suction Sf 2"

Ed. 01/08

TECNIUM®

Tech. Sheet
Ht.46424