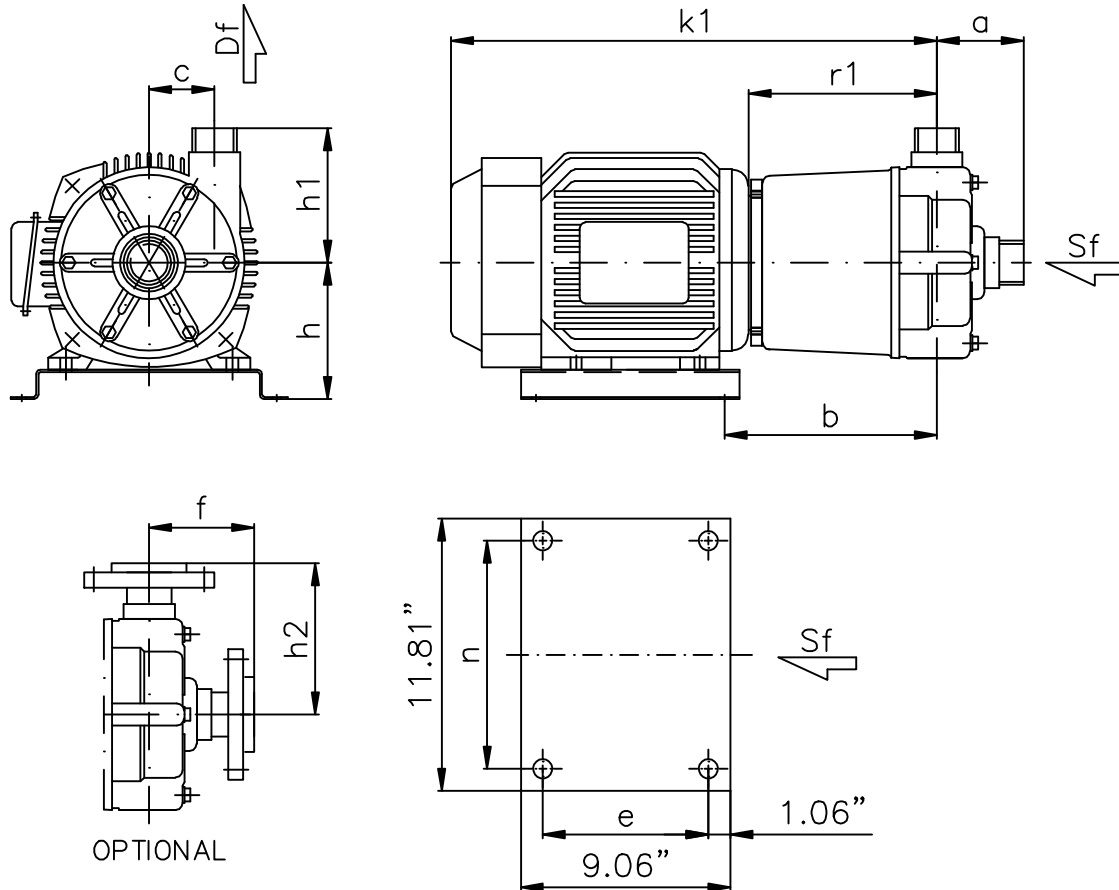


# DIMENSIONS MOTORPUMP "TECNIUM" BKM 13.12



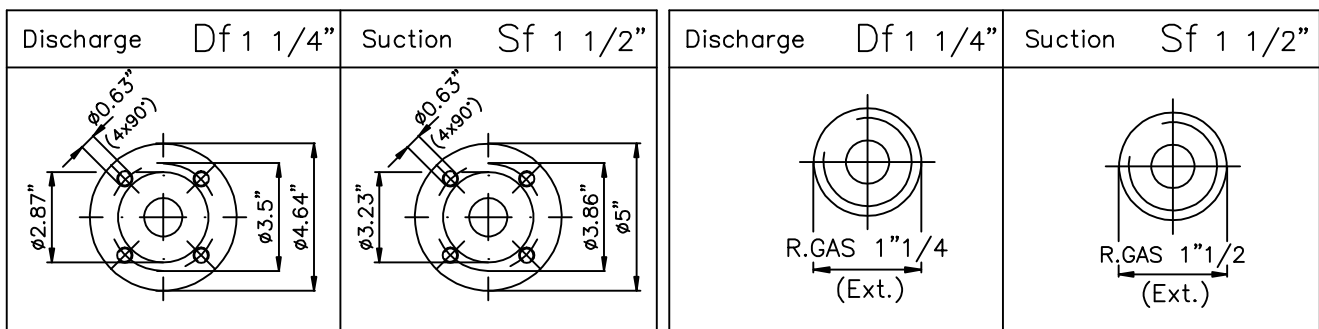
MOTOR	SPEED RATING/r.p.m.	CONSTRUCTION MATERIAL	IMPELLER	ORDER N:
NEMA-IP 55 C-flange	3480	-	-	-



Dimensions in inches.

Pump type	Motor 184	Pump											
	HP	a	b	c	f	h	h1	h2	k1	r1	n	e	d
BKM 13.12	5	2 21/32"	8.88"	2 31/32"	4.41"	6.08"	5 1/8"	6.89"	19 1/2"	6 5/8"	8 1/16"	7 1/2"	0.47"

## BRIDE OPTIONEL



Ed. 01/08

# TECNIUM®

Tech. Sheet  
Ht. 49414