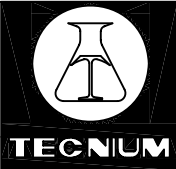
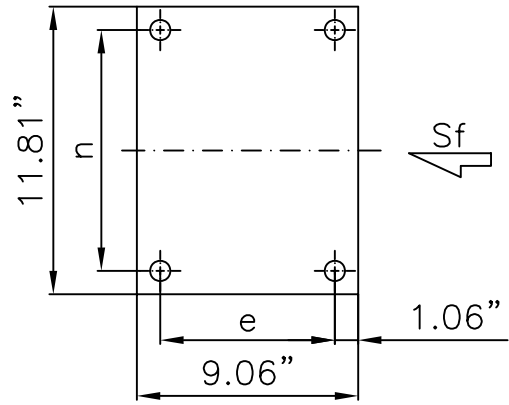
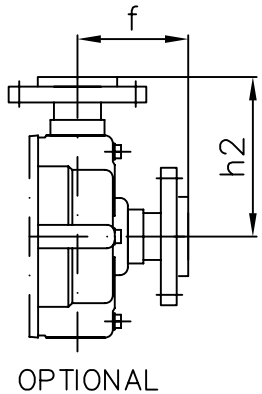
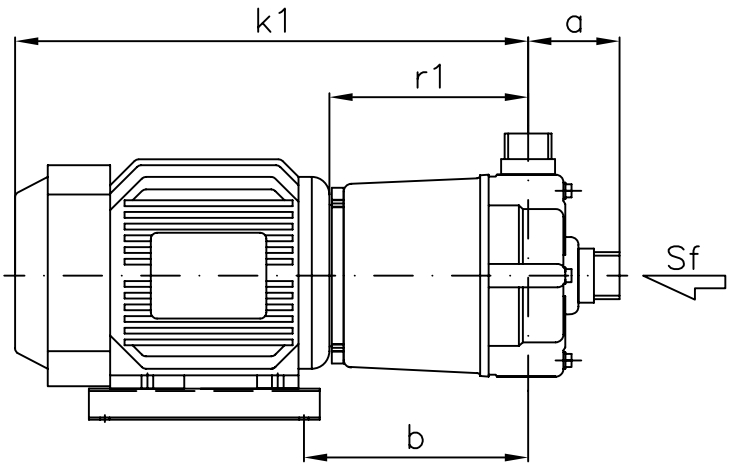
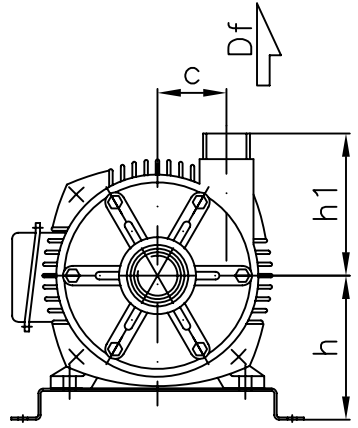


# DIMENSIONS MOTORPUMP "TECNIUM" BKM 16.14



MOTOR	SPEED RATING/r.p.m.	CONSTRUCTION MATERIAL	IMPELLER	ORDER N:
NEMA-IP 55 C-flange	3480	—	—	—



Dimensions in inches.

Pump type	Motor 184 HP	Pump											
		a	b	c	f	h	h1	h2	k1	r1	n	e	d
BKM 16.14	5	2 21/32"	9.08"	2 31/32"	4.41"	8.88"	5 1/8"	6.89"	19 1/2"	6 5/8"	8 1/16"	7 1/2"	0.47"

**BRIDE OPTIONEL**

Discharge Df 1 1/4"	Suction Sf 1 1/2"	Discharge Df 1 1/4"	Suction Sf 1 1/2"