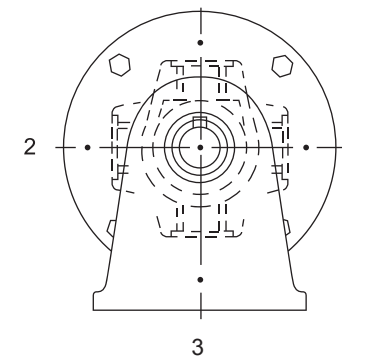


Possible port positions looking from drive end

1 = Standard



ADPL Pump Model	Pump Size	Discharge DN	Dimensions of pump			Net weight ≈ lbs.	Inches
			k	p	w		
ADPL 0.4	0.4	NPT 1/2	13.5"	8.19"	11.67"	7.3	
ADPL 0.8	0.8	NPT 3/4	14.49"	9.17"	12.65"	7.7	
ADPL 1.5	1.5	NPT 1	15.70"	10.39"	13.88"	8.4	

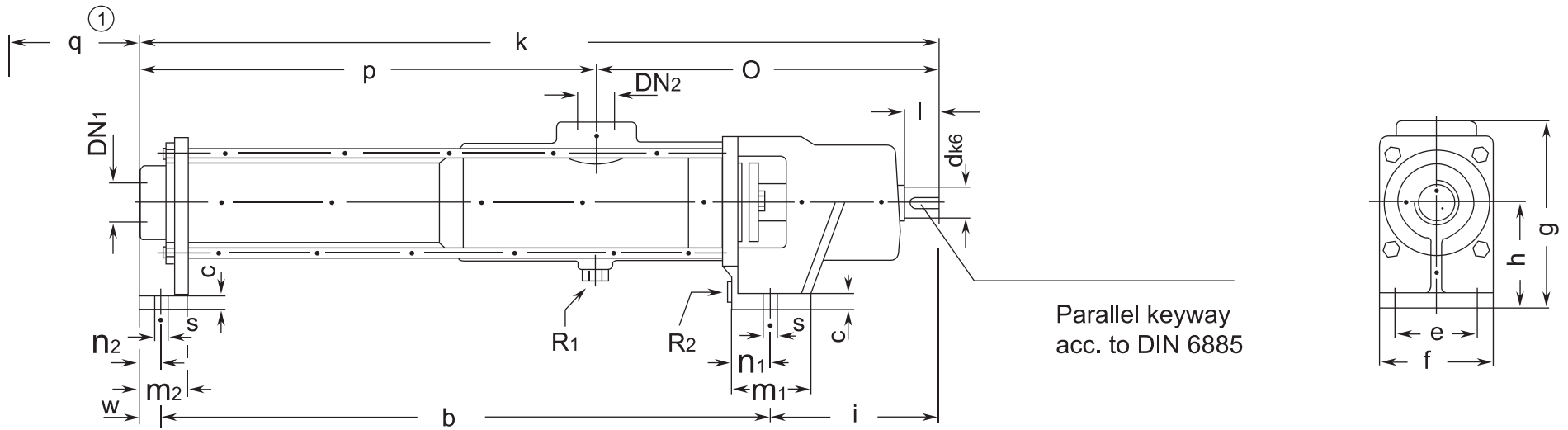
# ADPL

Progressive Cavity Pump

Minimum space to mounting surface with stuffing box versions, when connection NPT 3/4 horizontally (branch position 2 or 4).

**Shanley Pump  
& Equipment, Inc.**





ANPL Pump Model	Dimensions of pump																			Suction/ Discharge connections DN2/DN1	Net weight ≈ lbs.	Inches
	b	c	d	e	f	g	h	i	k	l	m <sub>1</sub>	m <sub>2</sub>	n <sub>1</sub>	n <sub>2</sub>	o	p	m <sub>1</sub>	s	w			
ANPL 3.2	15	0.396	0.787	2.76	3.35	5.32	3.15	4.92	20.59	1.2	2.36	1.378	1.2	0.67	9.96	10.63	6.3	0.354	0.669	R 1	24.25	
ANPL 6.2	16.58	0.396	0.787	2.76	3.35	5.32	3.15	4.92	22.2	1.2	2.36	1.378	1.2	0.67	9.96	12.2	6.3	0.354	0.669	R 1	25.35	
ANPL 12.2	17.99	0.396	0.787	2.76	3.35	5.32	3.15	4.92	23.58	1.2	2.36	1.378	1.2	0.67	9.96	13.62	6.3	0.354	0.669	R 1-1/4	26.46	

**ANPL**

Progressive Cavity Pump

Direction of rotation:  
Counterclockwise looking from the drive end is standard, in which case DN1 = delivery connection, DN2 = suction connection.  
Opposite direction of rotation is possible in which case DN1 = suction connection, DN2 = delivery connection.

**Shanley Pump  
& Equipment, Inc.**

