

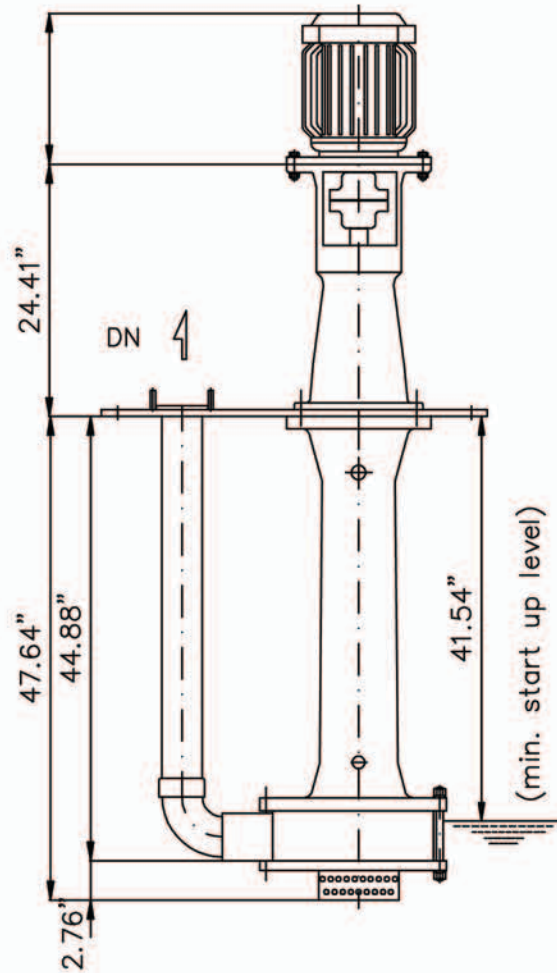
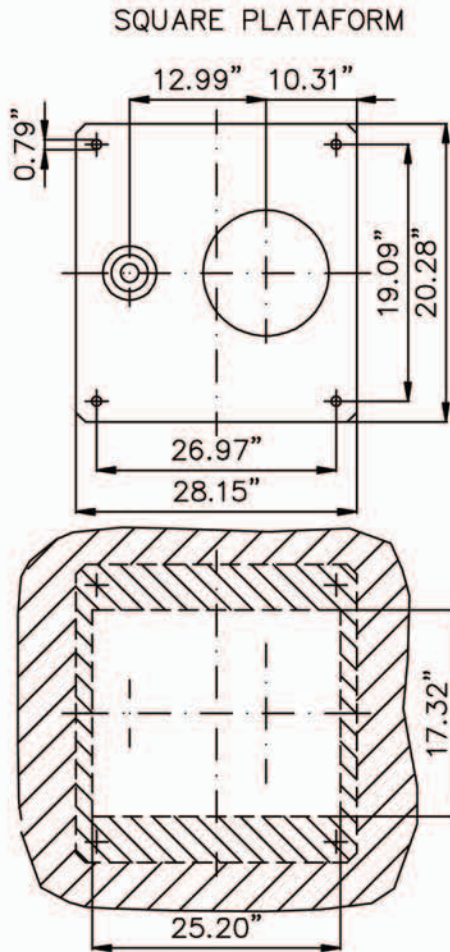


DIMENSIONS "TECNIUM" PUMP TYPE:

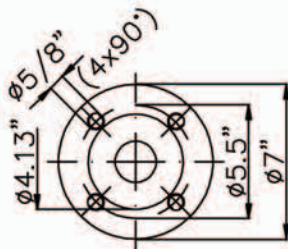
BTS
6.20



STANDARD	FLANGES ANSI B16.5 150 Lbs.	Motor	NEMA - IP 55		SPEED RATING/r.p.m. 1750/3480
		Type	KW	Volt.	



Discharge Df 2, 1/2"



Dimensions in Inches

Loads in nozzles			
Traction	= 360 Lb. Moment		= 12765 Lb.in
Weight (Kg.)		ITEM.	
Pump	Motor	ORDER	
		CUSTOMER	

IA. 1.3
Ed. 07/07

TECNIUM®

H.T.
49384