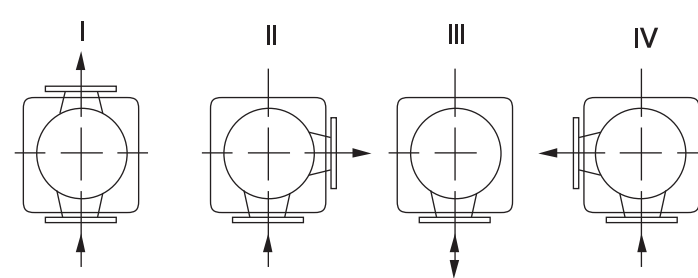
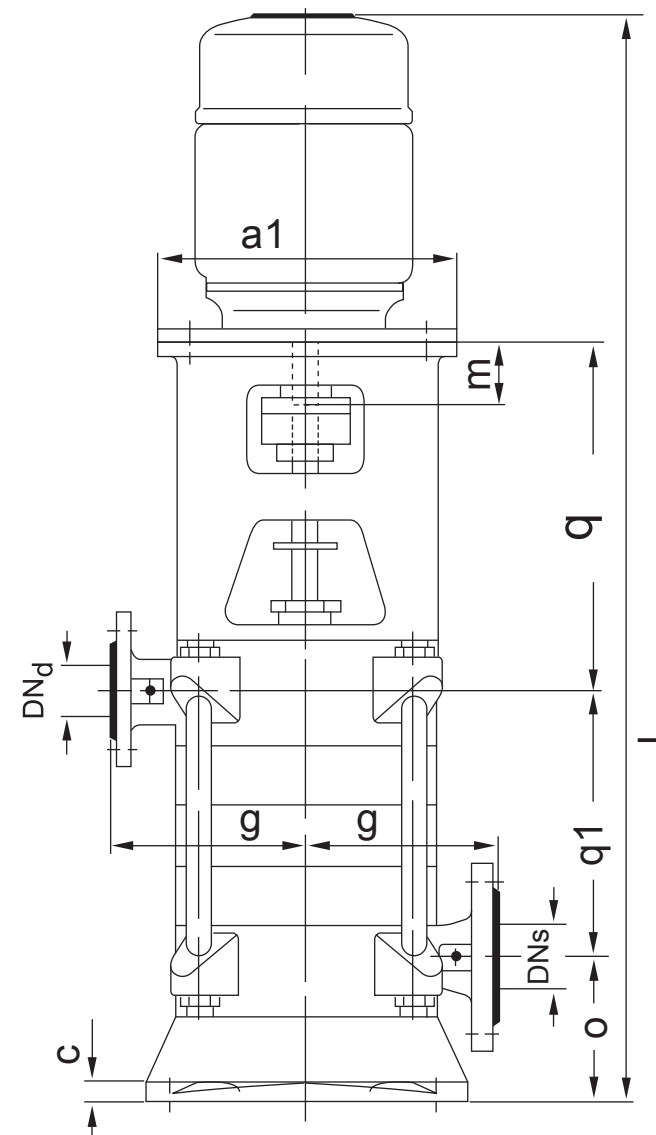


Pump Dimensions

DNs	DNd	$\phi a$	c	d	$\phi e$	g	h	o	t	u	a1	m	q
1.969	1.26	9.764	0.787	0.984	11.81	6.299	0.748	4.882	1.102	0.315	7.874	1.5748	12.7165
											7.874	1.9685	12.7165
											9.8425	2.3622	13.1102
											11.811	3.1496	13.8976
											13.7795	4.3307	15.0787
											15.748	4.3307	15.0787
											17.7165	4.3307	15.0787

Number of Stages

1	2	3	4	5	6	7	8	9	10	11	12	13	14
2.756	4.882	7.008	9.134	11.26	13.386	15.512	17.638	19.764	21.89	24.016	26.142	28.268	30.394



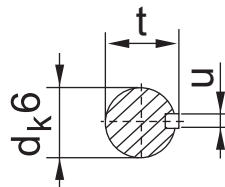
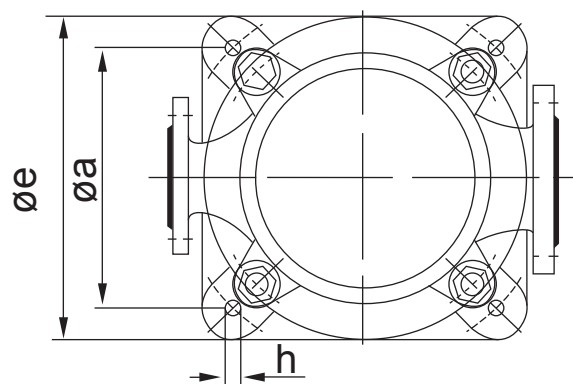
**NMV**  
Pump Model  
32

**NMV**

Vertical Centrifugal Pump

Shanley Pump  
& Equipment, Inc.





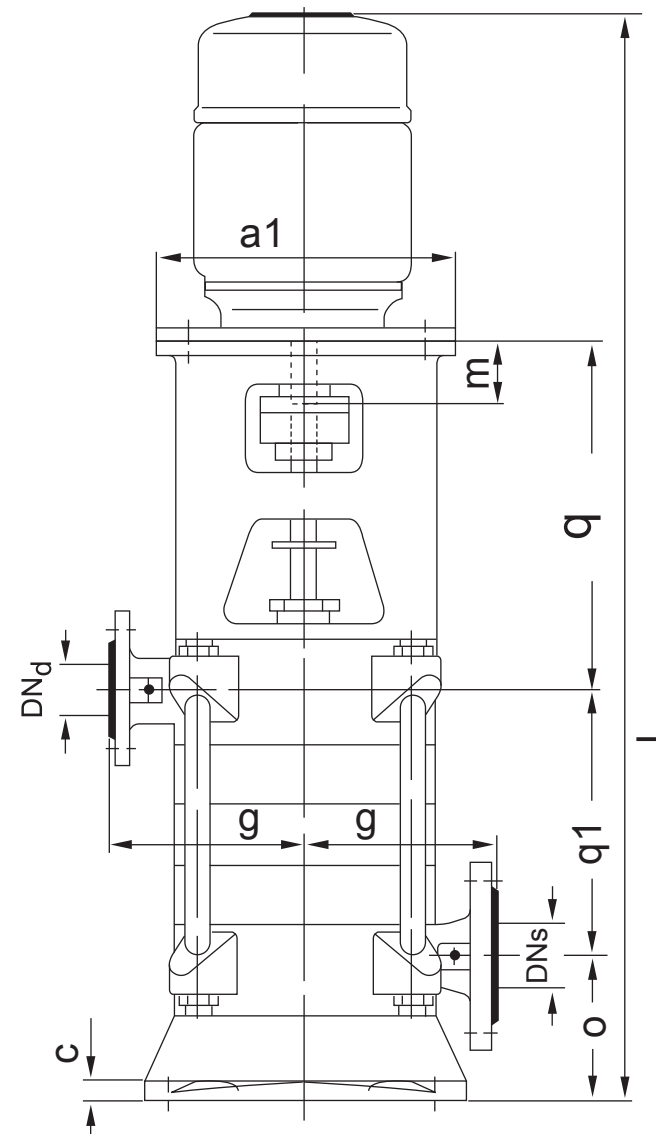
Pump Dimensions

DNs	DNd	$\phi a$	c	d	$\phi e$	g	h	o	t	u
2.5591	1.5748	9.764	0.787	0.984	11.811	7.087	0.748	5.118	1.102	0.315

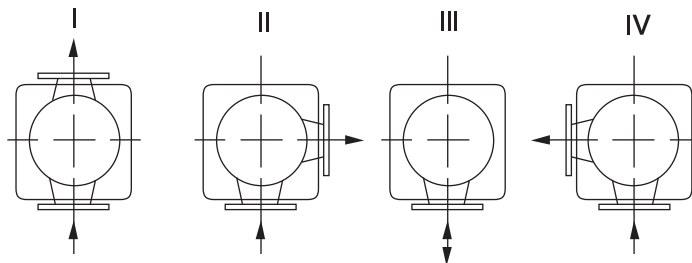
a1	m	q
7.874	1.5748	12.5984
7.874	1.9685	12.5984
9.8425	2.3622	12.9921
11.811	3.1496	13.7795
13.7795	4.3307	14.9606
15.748	4.3307	14.9606
17.7165	4.3307	14.9606

Number of Stages

1	2	3	4	5	6	7	8	9	10	11	12
2.953	5.236	7.52	9.803	12.087	14.37	16.654	18.937	21.221	23.504	25.787	28.071



**NMV**  
Pump Model  
40

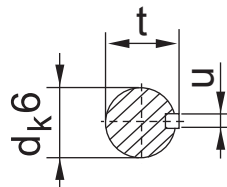
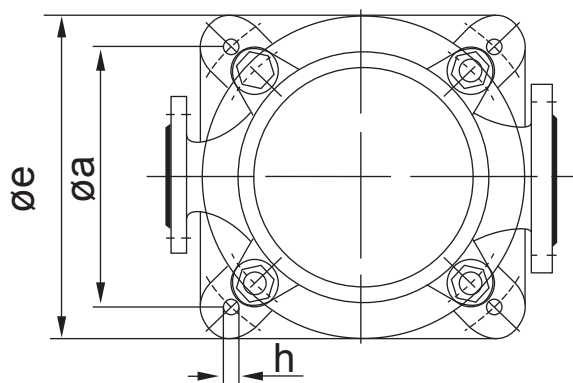


**NMV**

Vertical Centrifugal Pump

Shanley Pump  
& Equipment, Inc.



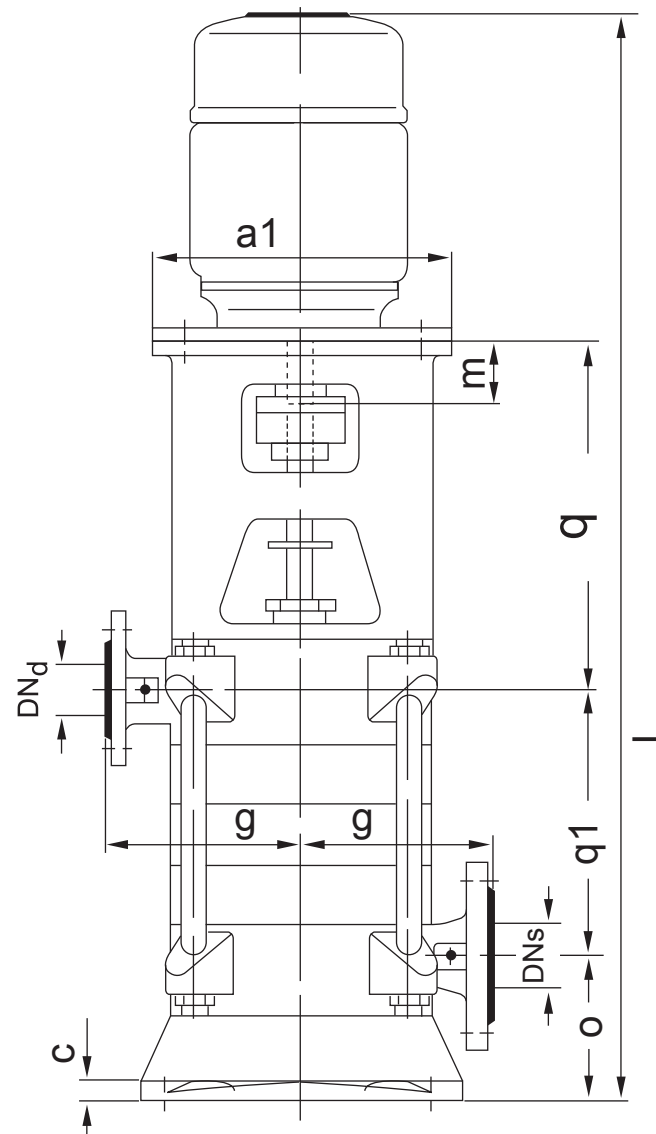


Pump Dimensions

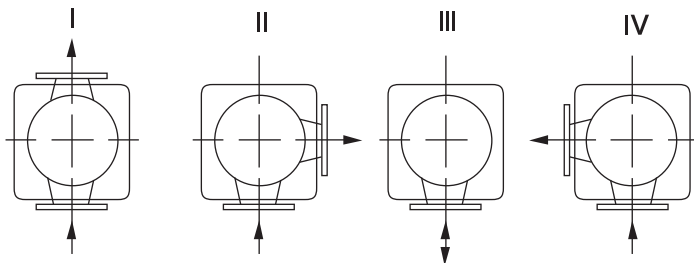
DNs	DNd	$\phi a$	c	d	$\phi e$	g	h	o	t	u	a1	m	q
3.937	2.5591	13.071	1.18	1.378	15.748	9.449	0.748	6.378	1.496	0.394	9.8425	2.3622	15.6299
											11.811	3.1496	16.4173
											13.7795	4.3307	17.5984
											15.748	4.3307	17.5984
											17.7165	4.3307	17.5984
											21.6535	5.5118	18.7795
											25.9843	5.5118	18.7795

Number of Stages

1	2	3	4	5	6	7	8	9	10	11
4.252	7.598	10.945	14.29	17.638	20.984	24.331	27.678	31.024	34.37	37.717



**NMV**  
Pump Model  
65

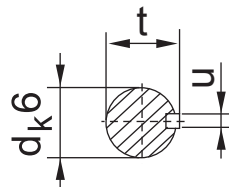
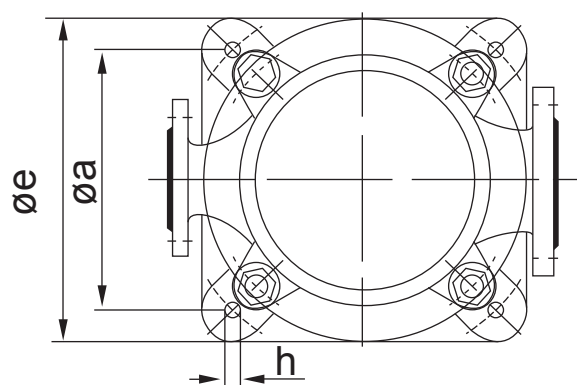


**NMV**

Vertical Centrifugal Pump

Shanley Pump  
& Equipment, Inc.





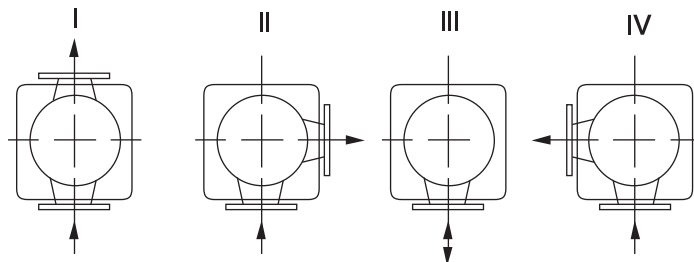
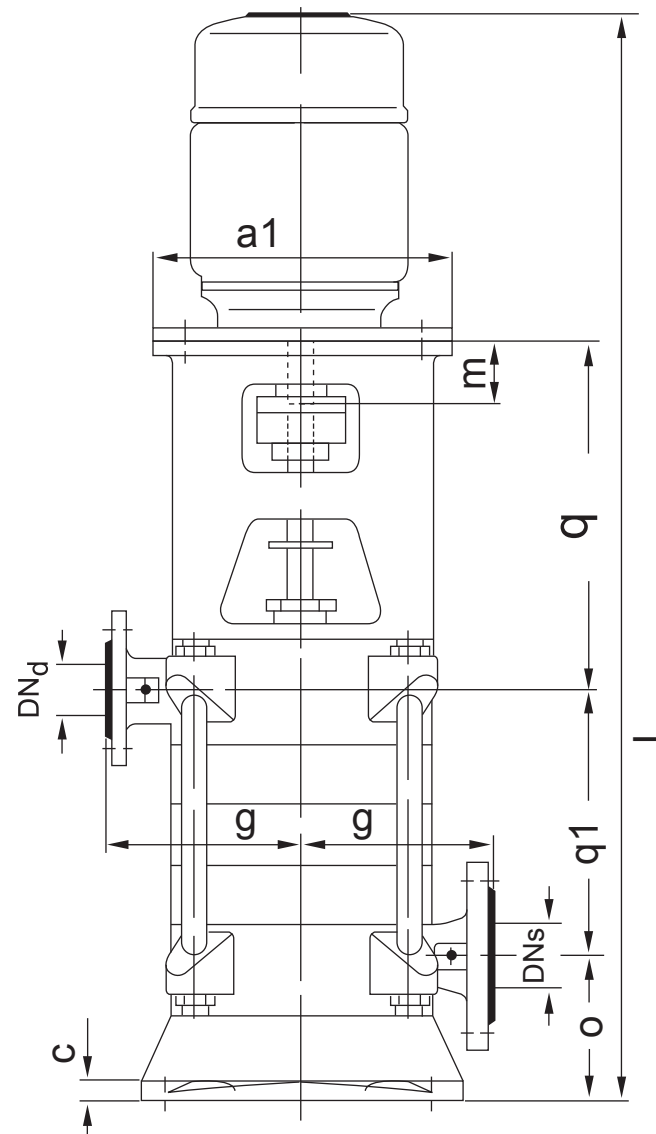
Pump Dimensions

DNs	DNd	øa	c	d	øe	g	h	o	t	u
4.9213	3.15	14.764	1.181	1.772	17.717	10.63	0.906	7.284	1.89	0.394

Number of Stages

1	2	3	4	5	6	7	8	9	10
5.512	9.843	14.173	18.504	22.835	27.165	31.496	35.827	40.158	44.49

a1	m	q
9.8425	2.3622	17.0472
11.811	3.1496	17.8346
13.7795	4.3307	19.0157
15.748	4.3307	19.0157
17.7165	4.3307	19.0157
21.6535	5.5118	20.1969
25.9843	5.5118	20.1969



**NMV**  
Pump Model  
80

**NMV**

Vertical Centrifugal Pump

Shanley Pump  
& Equipment, Inc.

