

OSNA

CVP

Vertical High Pressure Centrifugal Pump

Shanley Pump
& Equipment, Inc.



CVP

Features

The OSNA CVP Pumps performance is up to 66 GPM (Gallons per Minute) with fluids at temperatures up to 212°F at 319 PSI with 655 Ft. of Head as well as the OSNA CVP series of High Pressure Non Self-Priming Centrifugal Circulation Pumps are either furnished with mechanical seals.

The unique design of the CVP allows for 3 Hydraulic sizes to be available in one casing size as well as a variable flange position. Additionally, the CVP series allows for connection of two pumps via communication line.

Description

The OSNA CVP (Vertical) Series of High Pressure Multistage Centrifugal Irrigation Pumps are high-efficiency irrigation pumps that are designed for low noise and high strength in addition to their superior pumping performance as well as a vertical mounting for locations with limited space for a horizontal mounted pump.

The OSNA CVP (Vertical) Series of High Pressure Centrifugal Pumps primary capabilities lie in the pumping of clear and slightly contaminated liquids in compact pressure boosting systems sets. These Liquids include Fresh water from wells for irrigation or water supply, filtration units and machine tools.



Shanley Pump & Equipment, Inc.
2525 S. Clearbrook Drive
Arlington Heights, IL 60005
P: 847.439.9200
F: 847.439.9388
www.shanleypump.com
sales@shanleypump.com

Usage

The liquids can be fresh, slightly alkaline or acidic as well as drill emulsions, low-viscosity oils and cooling emulsions.

The OSNA CVP Series will also perform well as a boiler feed pump or in a boiler feed system. Maintenance is easy for the CVP series with its Modular construction. Exchangeable shaft sleeves are just one of the many features OSNA has thought of for ease of use.

The casing of the OSNA CVP Series is available depending upon your requests or chemical types in either cast iron or cast stainless steel for added strength.

Main Applications

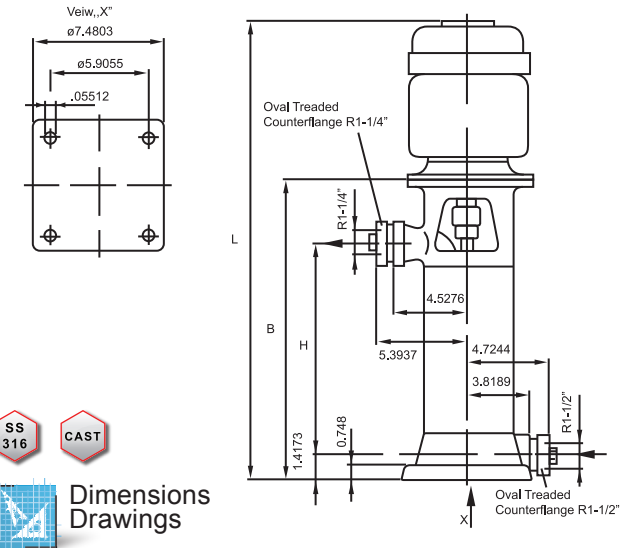
- Irrigation Pumping Systems
- Process Technology Pumping
- Slightly Polluted Liquids Pumping
- Plant Engineering Pumping
- High-Pressure Pumping Systems
- Recirculation Pumping Systems
- Boiler Feed Applications

GPM up to 66 GPM

PSI 319 PSI

TEMP +212°F

HEAD 655 ft.



50HZ
Performance Curve

2900 RPM

