

PA - OM series with strainer

PA - OM Pump Model	Dimensions of pump														d1	d2	d3	d4
	A	B	C	D	E	G	H	L	P	R	S	T	V					
PA025#6.0M	11.77	2.68	1.65	1.38	0.87	9.02	10.08	1.18	1	1.73	0.95	0.85	0.24	0.75	4.92	7.4	3.27	
PA029#6.0M	11.77	2.68	1.65	1.38	0.87	9.02	10.08	1.18	1	1.73	0.95	0.85	0.24	0.75	4.92	7.4	3.27	
PA032#4.0M	11.77	2.68	1.65	1.38	0.87	9.02	10.08	1.18	1	1.73	0.95	0.85	0.24	0.75	4.92	7.4	3.27	
PA040#4.0M	13.47	2.68	1.65	1.38	0.87	10.71	11.78	1.97	1	1.97	0.95	0.85	0.24	0.75	4.92	7.4	4.84	
PA045#4.0M	14.29	2.68	1.89	1.58	0.87	11.69	12.36	2.56	1.5	1.97	0.79	1.06	0.32	0.95	4.92	7.4	4.84	
PA055#4.0M	16.73	3.39	2.48	2.17	0.87	13.27	14.09	1.97	1.5	2.36	1.1	1.38	0.39	1.26	6.3	9.21	6.38	
PA060#4.0M	18.27	3.39	2.48	2.24	0.87	15.35	15.79	1.97	2	2.36	1.1	1.38	0.39	1.26	6.3	9.21	6.38	
PA072#4.0M	22.17	4.41	2.48	2.48	0.87	17.80	19.69	5.12	2	2.84	1.18	1.61	0.39	1.5	6.3	9.21	7.48	

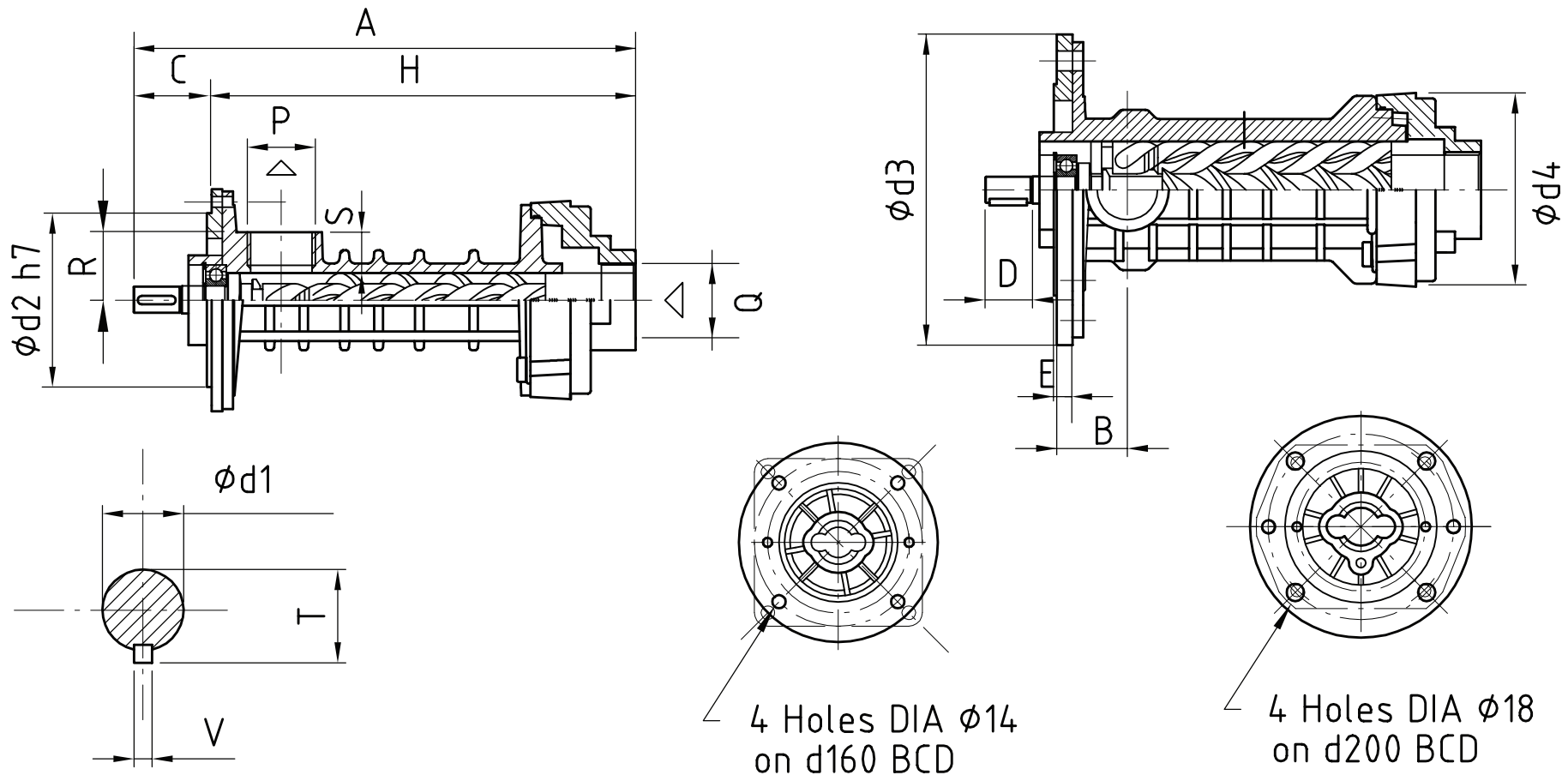
Inches

PA

3-Screw Pump

Shanley Pump
& Equipment, Inc.





PA - OT series with axial inlet flange

PA - OT Pump Model	Dimensions of pump															
	A	B	C	D	E	H	P	Q	R	S	T	V	d1	d2	d3	d4
PA025#6.0T	12.52	2.68	1.65	1.38	0.87	10.87	1	1.25	1.73	0.95	0.85	0.24	0.75	4.92	7.4	3.19
PA029#6.0T	12.52	2.68	1.65	1.38	0.87	10.87	1	1.25	1.73	0.95	0.85	0.24	0.75	4.92	7.4	3.19
PA032#4.0T	12.52	2.68	1.65	1.38	0.87	10.87	1	1.25	1.73	0.95	0.85	0.24	0.75	4.92	7.4	3.19
PA040#4.0T	14.65	2.68	1.65	1.38	0.87	12.99	1	2	1.97	0.95	0.85	0.24	0.75	4.92	7.4	5.87
PA045#4.0T	14.88	2.68	1.89	1.58	0.87	12.99	1.5	2	1.97	1.06	1.06	0.32	0.95	4.92	7.4	5.87
PA055#4.0T	18.51	3.39	2.48	2.17	0.87	16.03	1.5	3	2.36	1.10	1.38	0.39	1.26	6.3	9.21	7.48
PA060#4.0T	20.24	3.39	2.48	2.24	0.87	17.76	2	3	2.36	1.18	1.38	0.39	1.26	6.3	9.21	7.48
PA072#4.0T	23.62	4.41	2.48	2.48	0.87	21.14	2	4	2.84	1.18	1.61	0.39	1.5	6.3	9.21	9.84

Inches

PA

3-Screw Pump

Shanley Pump
& Equipment, Inc.

