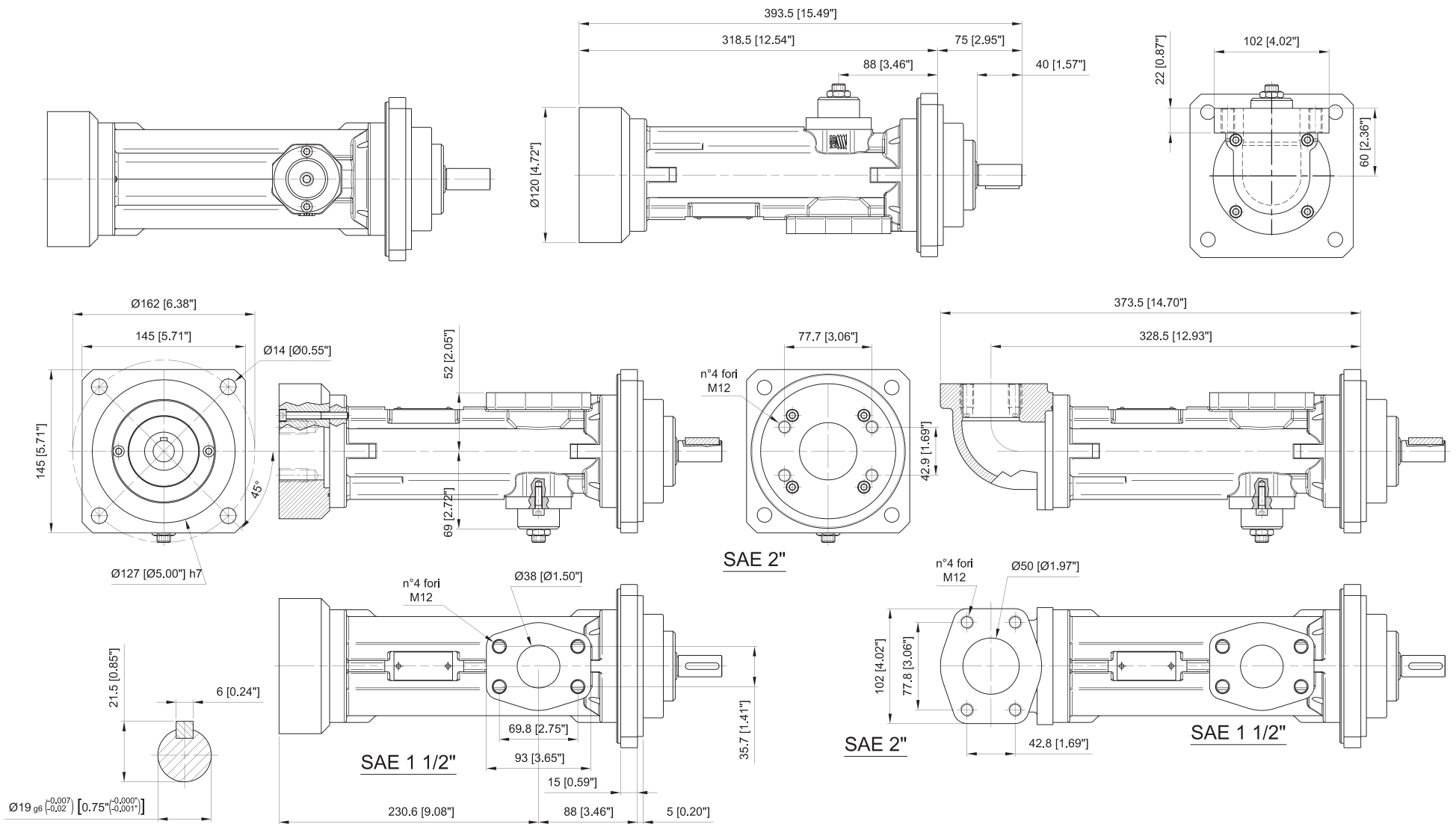


PXF

3-Screw Pump **PXF 032**

**Shanley Pump
& Equipment, Inc.**



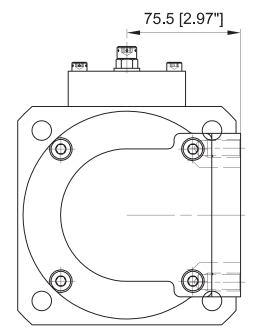
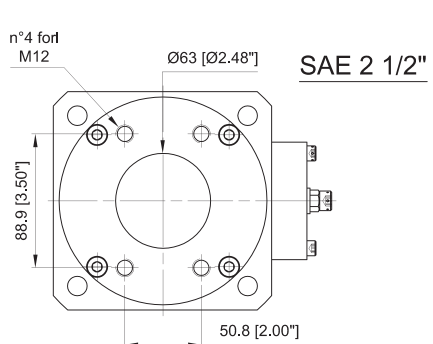
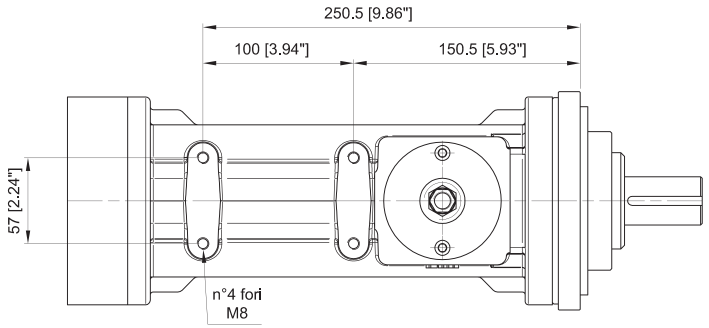
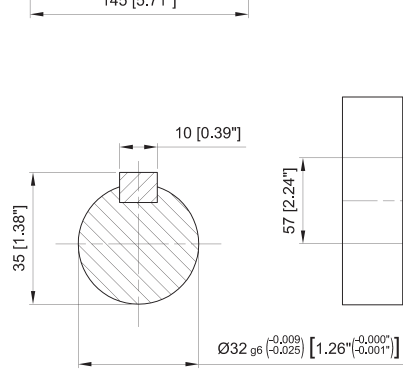
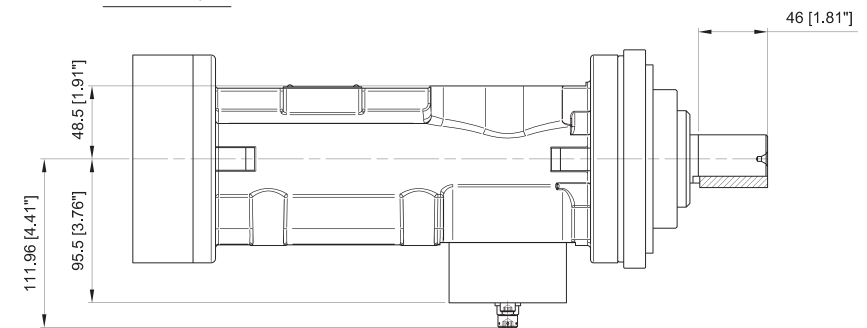
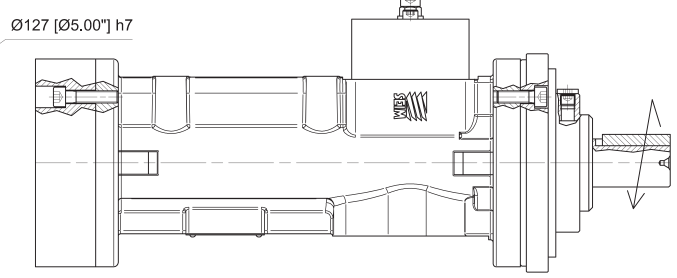
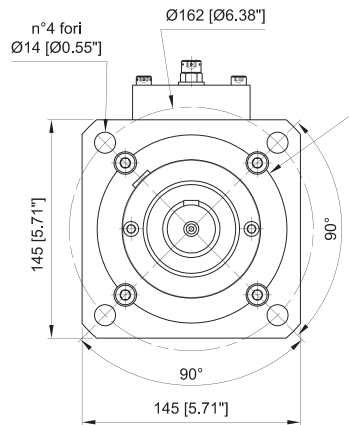
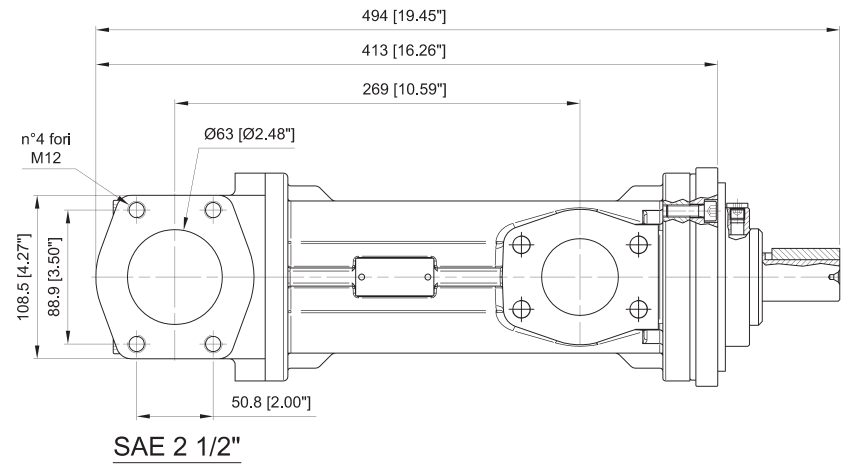
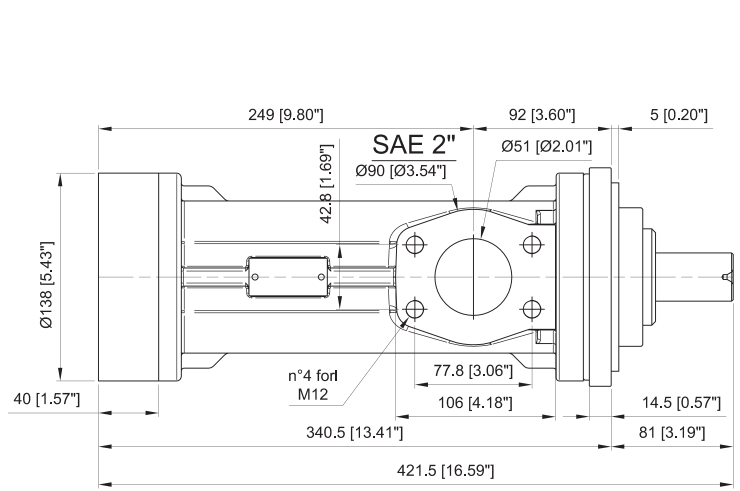


PXF

3-Screw Pump **PXF 040**

**Shanley Pump
& Equipment, Inc.**



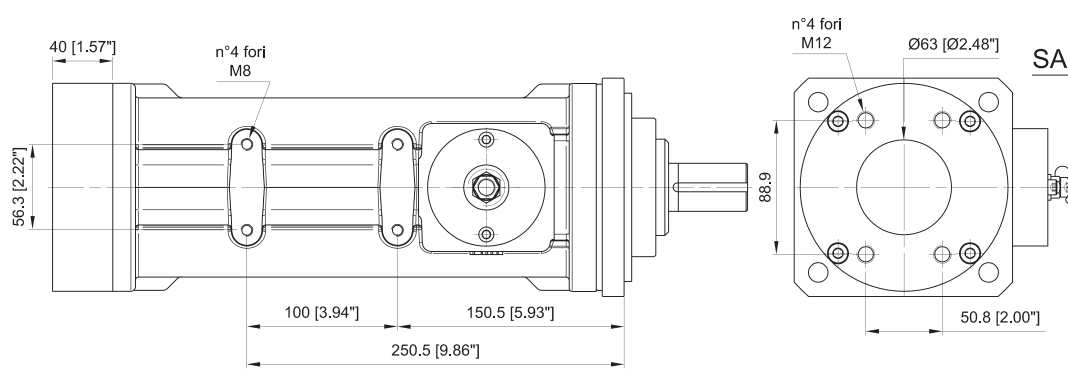
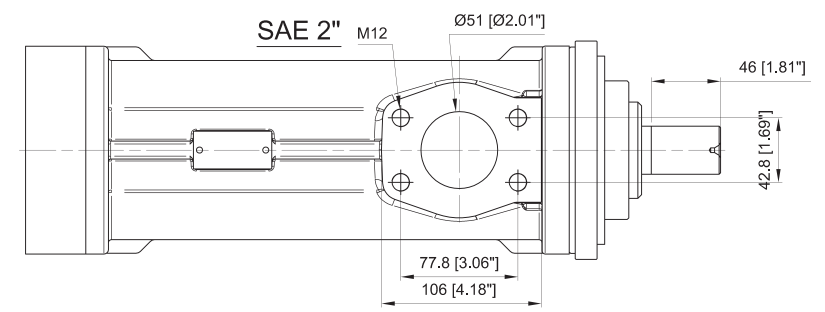
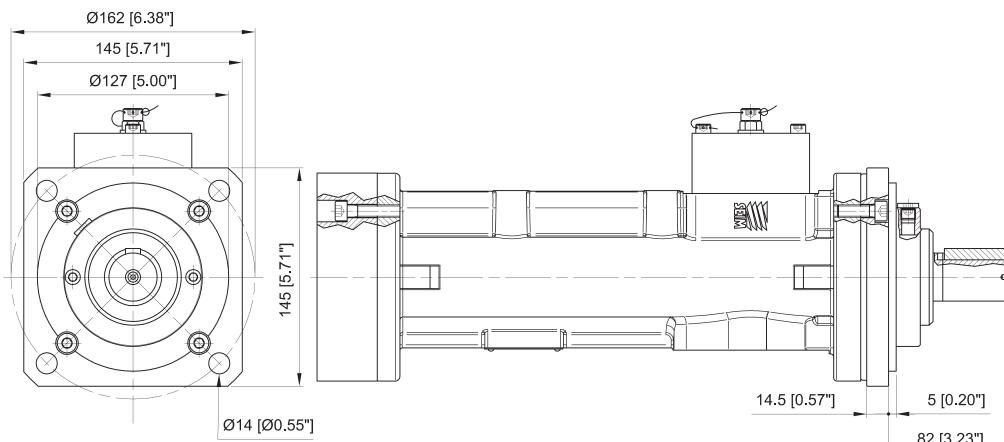
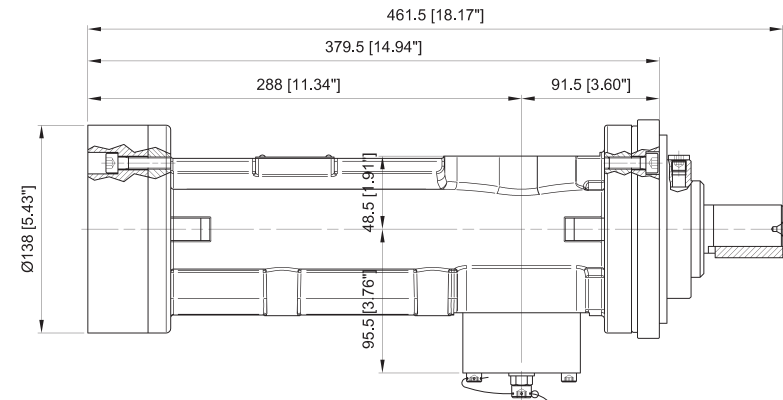
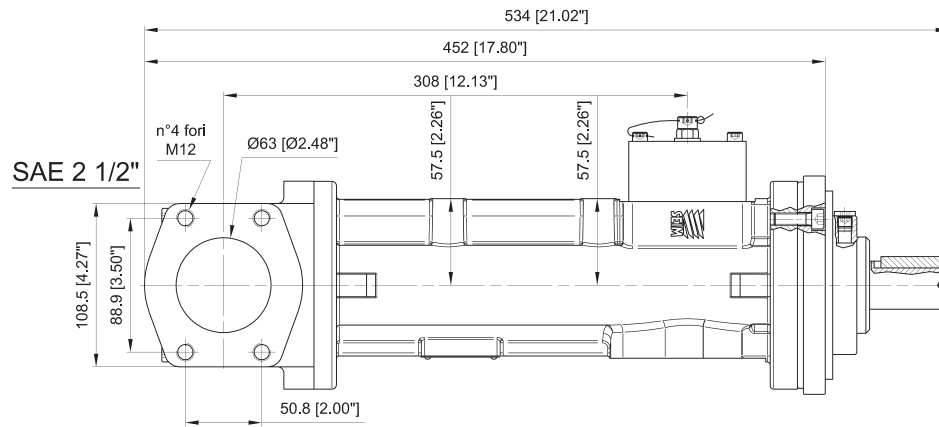


PXF

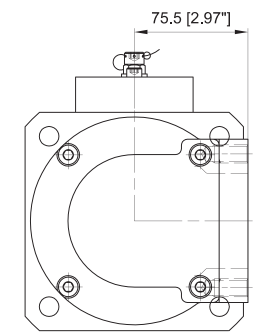
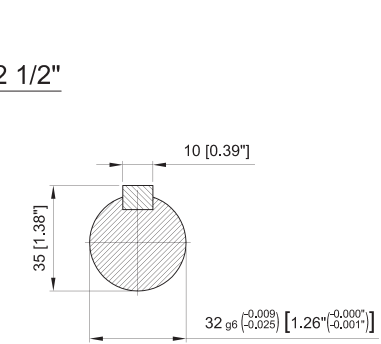
3-Screw Pump **PXF 045**

Shanley Pump & Equipment, Inc.





SAE 2 1/2"

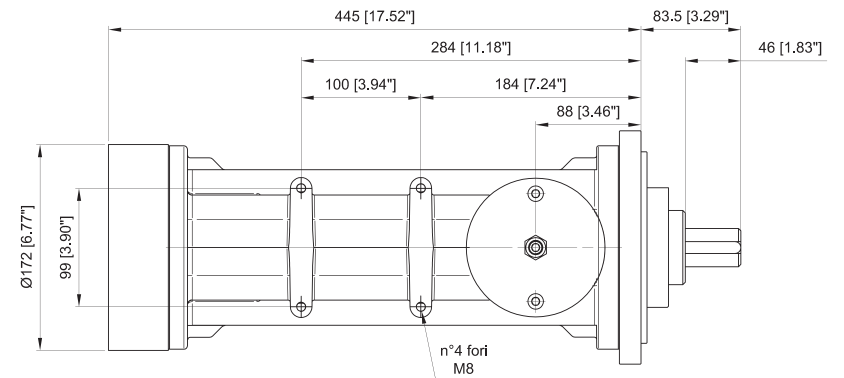
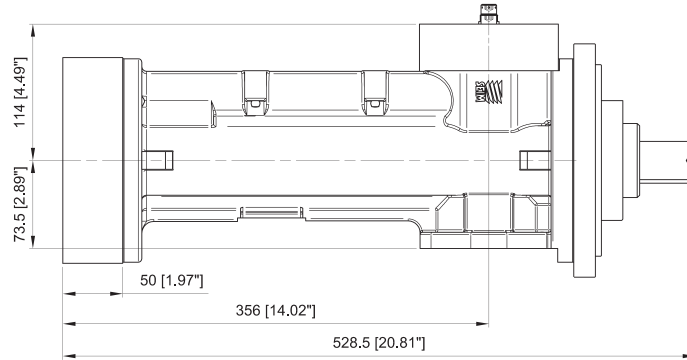
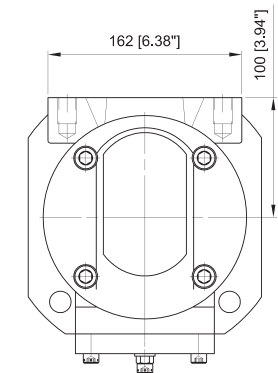
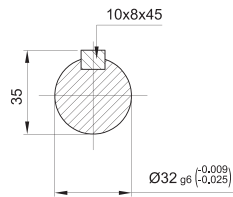
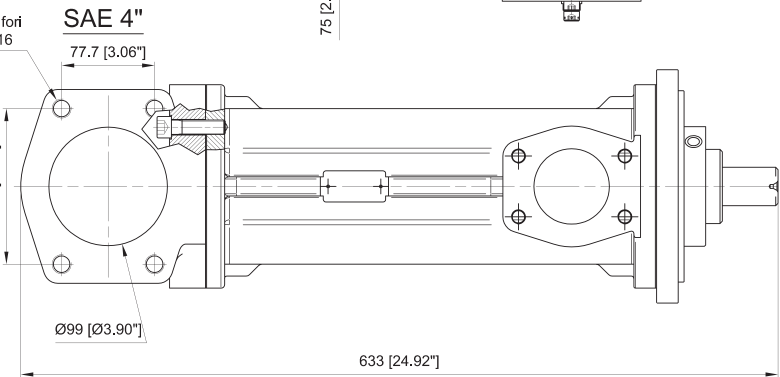
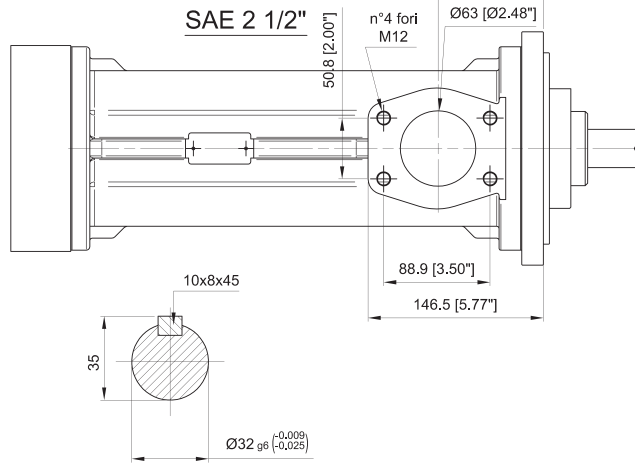
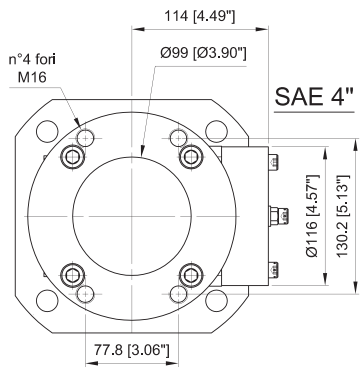
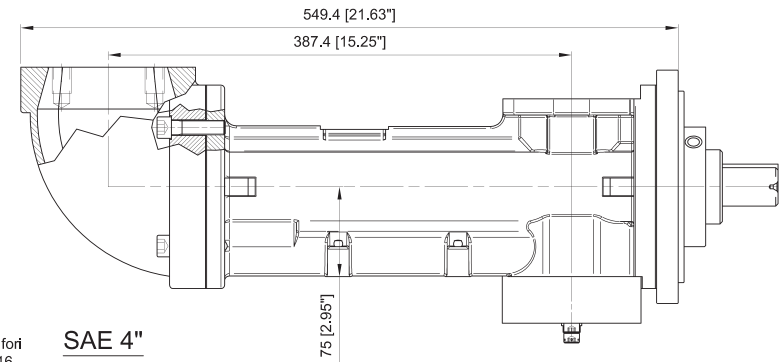
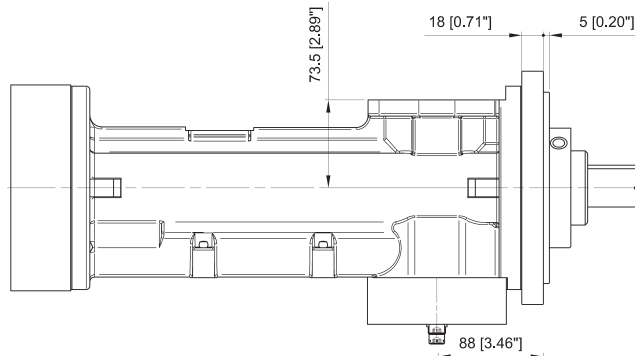
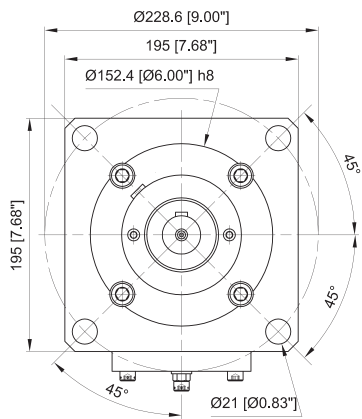


PXF

3-Screw Pump **PXF 055**

Shanley Pump
& Equipment, Inc.



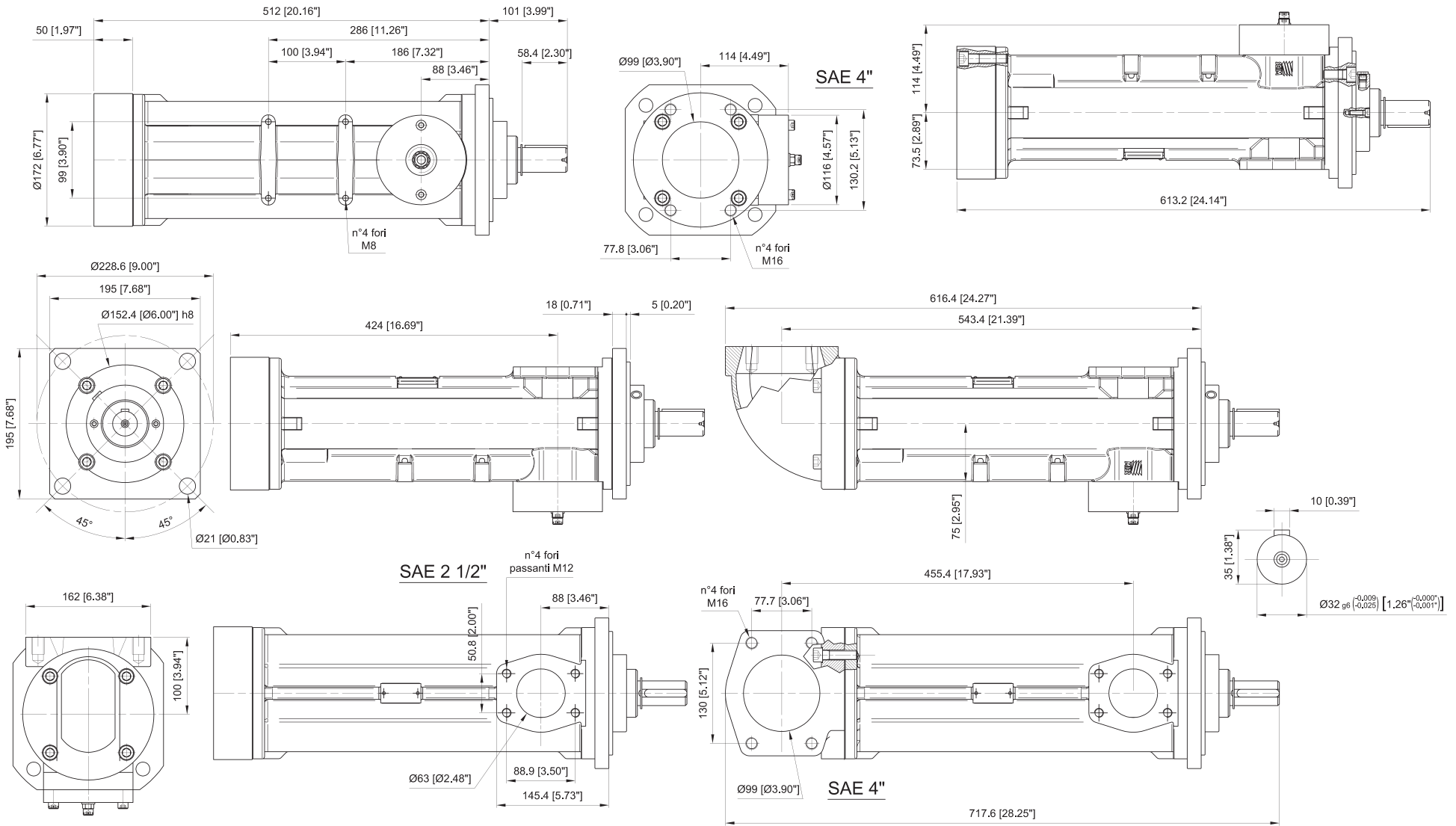


PXF

3-Screw Pump **PXF 060**

**Shanley Pump
& Equipment, Inc.**



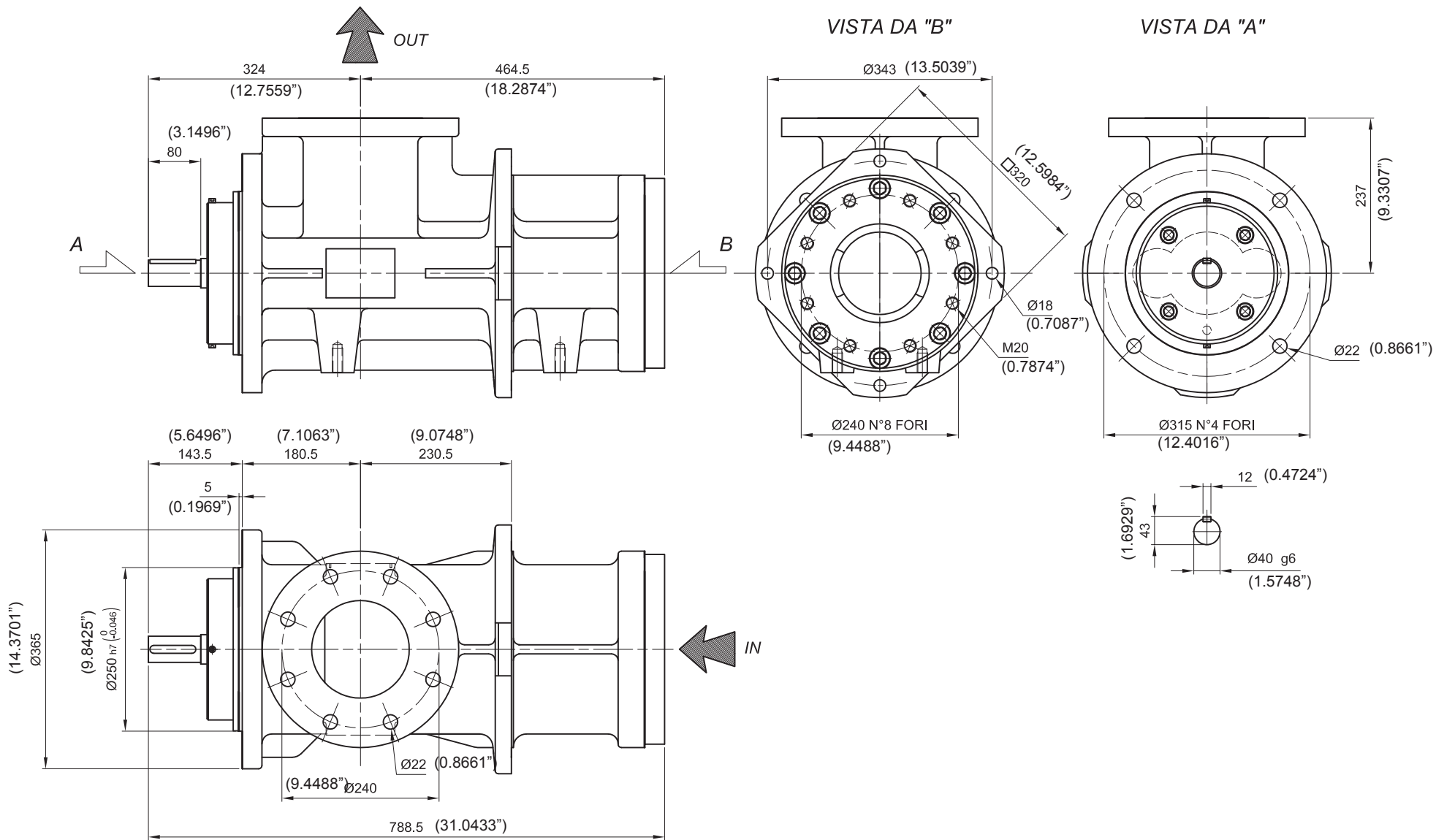


PXF

3-Screw Pump **PXF 072**

**Shanley Pump
& Equipment, Inc.**



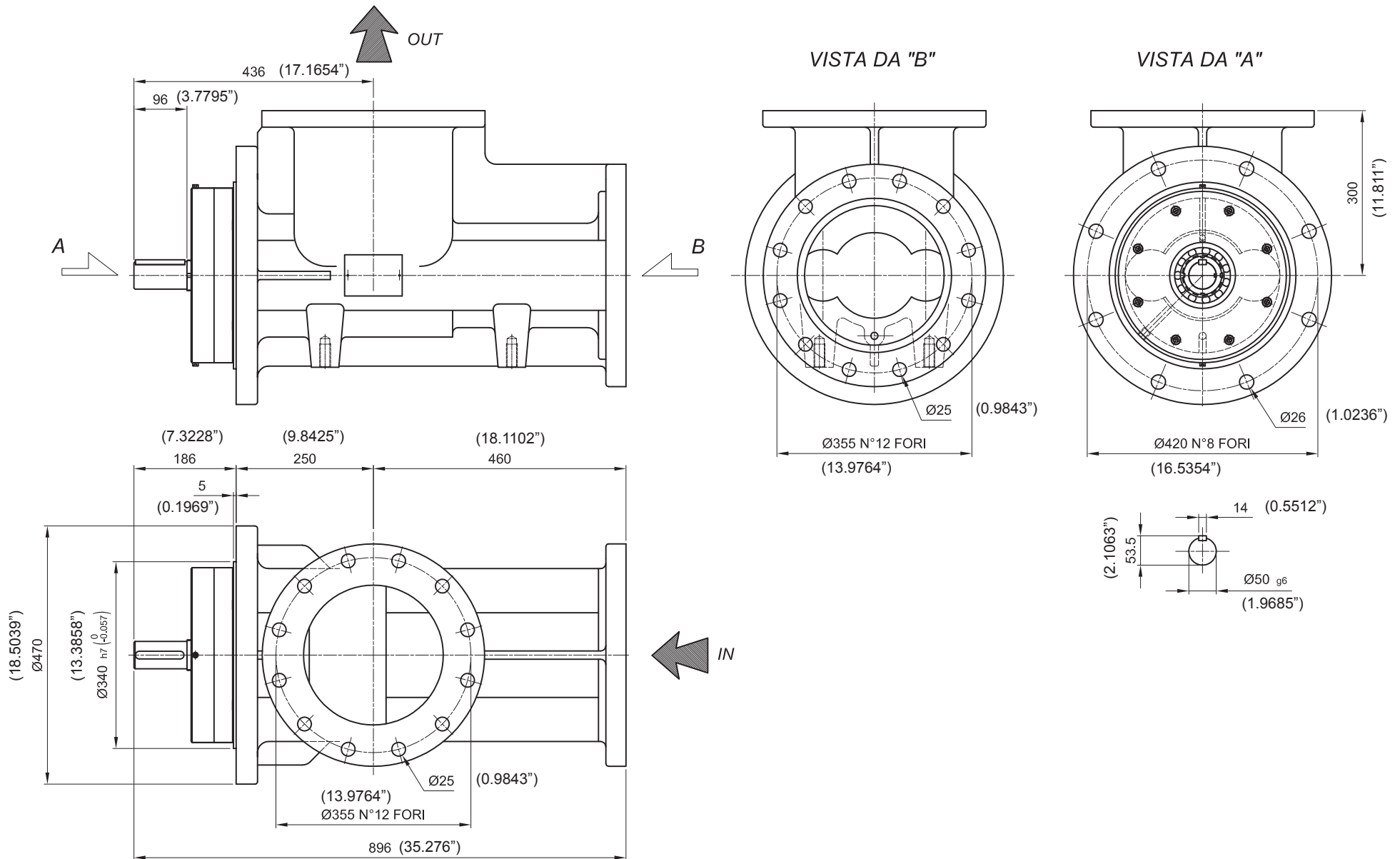


PXF

3-Screw Pump **PXF 126**

**Shanley Pump
& Equipment, Inc.**





PXF

3-Screw Pump **PXF 156**

**Shanley Pump
& Equipment, Inc.**

