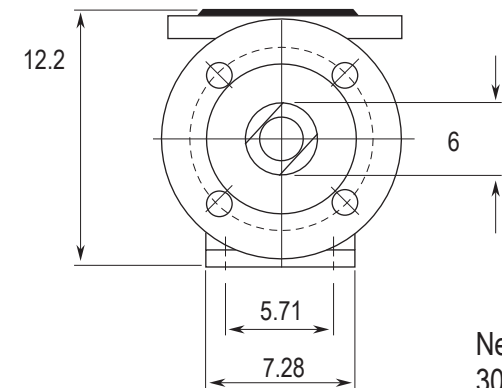


CAST IRON FLANGES: 6" 125# FF  
 STAINLESS FLANGES: 6" 150# RF



Net Weight  
 308 lbs.

**SEP**

Progressive Cavity Pump  
 SIZE-1000 STAGES-1

Attention: actual motor dimensions possible may differ from the drawing.  
 Subject to alteration!

**Shanley Pump  
 & Equipment, Inc.**

